

KOHLER®

Cadence® Top-mount Kitchen Sink K-R3145-4

Features

- 36-inch minimum base cabinet width.
- 20-gauge stainless steel.
- Top-mount.
- Three faucet holes with one accessory hole to the right.
- Double (equal) compartment.
- Includes installation hardware.
- Highlighted bowl bead.
- With SilentShield® sound-absorption technology.
- 33" (838 mm) x 22" (559 mm).

Optional Accessories

- K-3294 Cutting Board
- K-6139 Sponge Caddy
- K-6401 Sink Rack
- K-8801 Sink Strainer

Components

- Product includes:
- 1150001 Installation Clips



Codes/Standards

ASME A112.19.3/CSA B45.4

Lifetime Limited Warranty for KOHLER® Stainless Steel Sinks

See website for detailed warranty information.

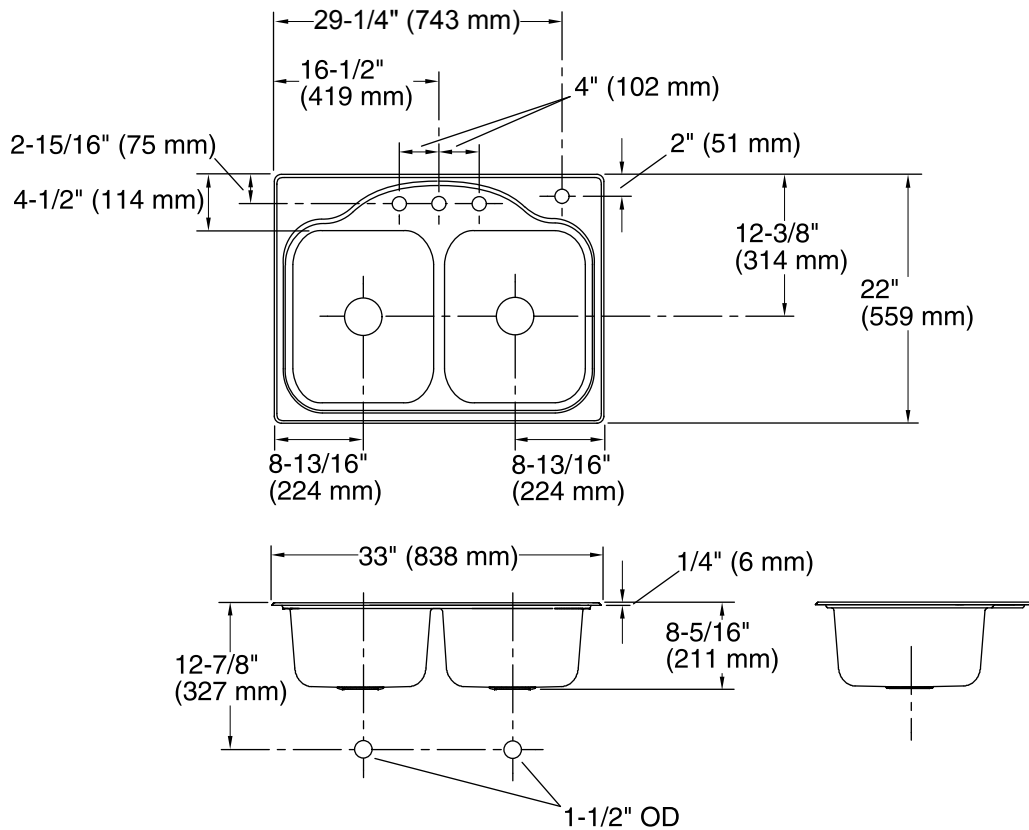
USA/Canada: 1-800-4KOHLER (1-800-456-4537)

Kohler Co. reserves the right to make revisions without notice to product specifications.

For the most current Specification Sheet, go to www.kohler.com.

8-30-2016 08:49

THE BOLD LOOK
OF **KOHLER®**



Technical Information

All product dimensions are nominal.

Bowl configuration: Double equal

Installation: Top-mount

Cutout: Top-mount, 32-1/2" x 21-1/2" (826 mm x 546 mm) with 1-1/2" (38 mm) radius corners

Min. base cabinet width: 36" (914 mm)

Bowl area (Left)
Length: 14-1/8" (359 mm)
Width: 15-3/4" (400 mm)
Bowl depth: 8" (203 mm)
Water depth: 8" (203 mm)

Bowl area (Right)
Length: 14-1/8" (359 mm)
Width: 15-3/4" (400 mm)
Bowl depth: 8" (203 mm)
Water depth: 8" (203 mm)

Number of deck holes: 4

Faucet hole(s): 1-7/16" (37 mm)

Drain hole: 3-3/4" (95 mm)

Notes

Install this product according to the installation instructions.