

STERLING®

A KOHLER COMPANY

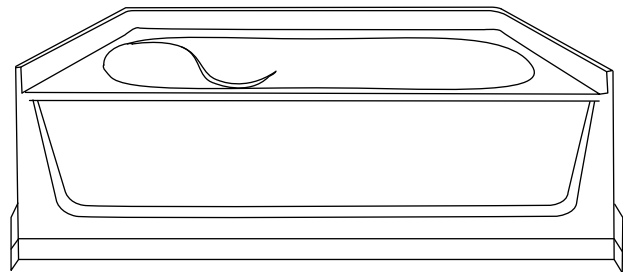
ENSEMBLE™

Features

- Compression molded from our exclusive solid Vikrell® material
- Above-floor-drain (AFD) rough-in
- Gentle sloping back, neck, and armrest in bath design
- Factory installed apron extension made of Vikrell® and injection molded undersupport structure
- Durable high-gloss finish
- 10-year consumer/3-year commercial limited warranty
- Integral apron with removable access panel
- 18-1/4" (46.4 cm) bath depth (floor to top of dam)
- 3" (7.6 cm) wainscot/tile ledge
- 60" (152.4 cm) x 43-1/2" (110.5 cm) x 22-1/4" (56.5 cm) rough-in dimensions include flanges
- 60" (152.4 cm) x 42" (106.7 cm) x 21-1/4" (54 cm) finished dimensions

42" (106.7 cm) AFD OVAL BATH
WITH ACCESS PANEL

71111119
ALSO 71111129



Codes/Standards Applicable

Specified model meets or exceeds the following:

- ASTM E162
- ASTM E662
- CSA B45.5/IAPMO Z124

Colors/Finishes

- 0: White
- Other: Refer to Price Book for additional colors/finishes

Specified Model

Model	Complete Unit Description	Colors/Finishes	
71111119	42" (106.7 cm) AFD oval bath with access panel, left drain	<input type="checkbox"/> 0	<input type="checkbox"/> Other _____
71111129	42" (106.7 cm) AFD oval bath with access panel, right drain (shown)	<input type="checkbox"/> 0	<input type="checkbox"/> Other _____

ENSEMBLE™

Technical Information

Fixture*:	
Bathing well	40" (101.6 cm) x 27" (68.6 cm)
Top area	52" (132.1 cm) x 35" (88.9 cm)
To overflow:	
Water depth	11" (27.9 cm)
Capacity	55 gal (208.2 L)
* Approximate measurements for comparison only.	

Model	door maximum width	door maximum height
71111119	58-1/2" (148.6 cm)	NA*
71111129		
* Varies with alternative walls.		

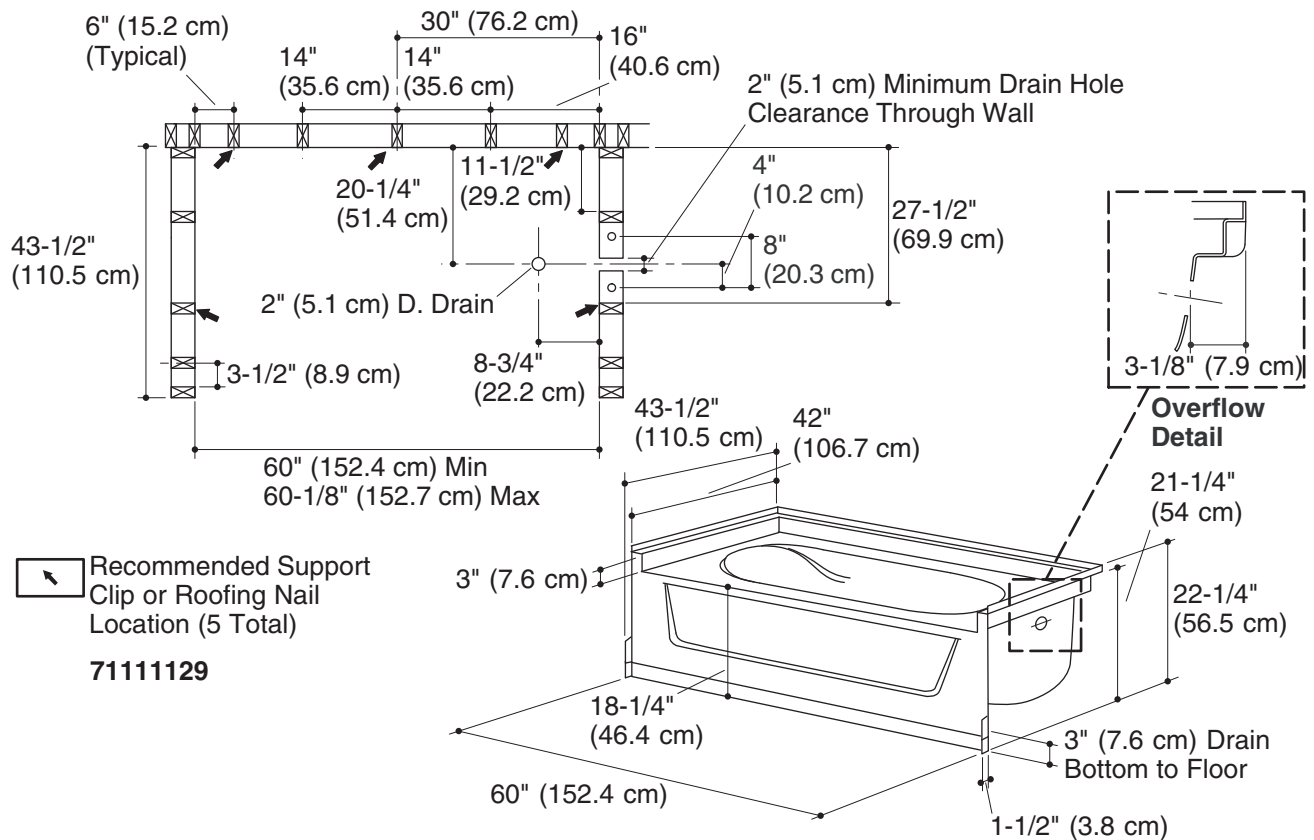
Installation Notes

Install this product according to the installation guide.

Size the drain cutout to fit the drain assembly that will be used.

Stud positioning is critical.

Studs should be positioned roughly as shown for support clip or roofing nail installation.



Product Diagram