

### WADING POOL® LAVATORY K-2353, K-2354

ADA

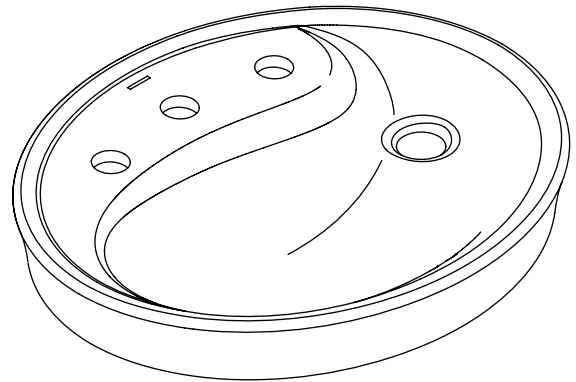
#### Features

- Vitreous china
- Above-the-counter installation
- 8" (20.3 cm) centers (-8), 4" (10.2 cm) centers (-4), or single-hole (-1)
- ADA compliant
- With or without overflow
- 21-1/4" (54 cm) x 18-1/16" (45.9 cm)

#### Codes/Standards Applicable

Specified model meets or exceeds the following:

- ADA
- ASME A112.19.2/CSA B45.1
- ICC/ANSI A117.1



#### Colors/Finishes

- 0: White
- Other: Refer to Price Book for additional colors/finishes

#### Accessories:

- CP: Polished Chrome
- Other: Refer to Price Book for additional colors/finishes

#### Specified Model

Model	Description	Colors/Finishes	
K-2353-1	Wading Pool lavatory - single-hole, without overflow	<input type="checkbox"/> 0	<input type="checkbox"/> Other _____
K-2353-4	Wading Pool lavatory - 4" (10.2 cm) centers, without overflow	<input type="checkbox"/> 0	<input type="checkbox"/> Other _____
K-2353-8	Wading Pool lavatory - 8" (20.3 cm) centers, without overflow	<input type="checkbox"/> 0	<input type="checkbox"/> Other _____
K-2354-1	Wading Pool lavatory - single-hole, with overflow	<input type="checkbox"/> 0	<input type="checkbox"/> Other _____
K-2354-4	Wading Pool lavatory - 4" (10.2 cm) centers, with overflow	<input type="checkbox"/> 0	<input type="checkbox"/> Other _____
K-2354-8	Wading Pool lavatory - 8" (20.3 cm) centers, with overflow	<input type="checkbox"/> 0	<input type="checkbox"/> Other _____

Recommended Accessories			
K-7107	Decorative grid drain	<input type="checkbox"/> CP	<input type="checkbox"/> Other _____
K-7108	Decorative grid drain	<input type="checkbox"/> CP	<input type="checkbox"/> Other _____
K-7710	Metal stopper	<input type="checkbox"/> CP	<input type="checkbox"/> Other _____
K-9018	P-Trap	<input type="checkbox"/> CP	<input type="checkbox"/> Other _____

#### Product Specification

The vitreous china lavatory shall be 21-1/4" (54 cm) in length and 18-1/16" (45.9 cm) in width. Lavatory shall be for above-the-counter installation. Lavatory shall be available with single-hole (-1), 4" (10.2 cm) centers (-4), or 8" (20.3 cm) centers (-8). Lavatory shall be available with or without overflow. Lavatory shall be Kohler Model K-\_\_\_\_-\_\_\_\_-\_\_\_\_.

# YIN-YANG®

## Technical Information

Fixture*:	
Basin area	19-11/16" (50 cm) x 12-7/16" (31.6 cm)
Water depth	2-1/8" (5.4 cm) without overflow 9/16" (1.4 cm) to overflow
Drain hole	1-3/4" (4.4 cm) D.
* Approximate measurements for comparison only.	
Included component	
Cut-out template	1066138-7

## Installation Notes

Install this product according to the installation guide.

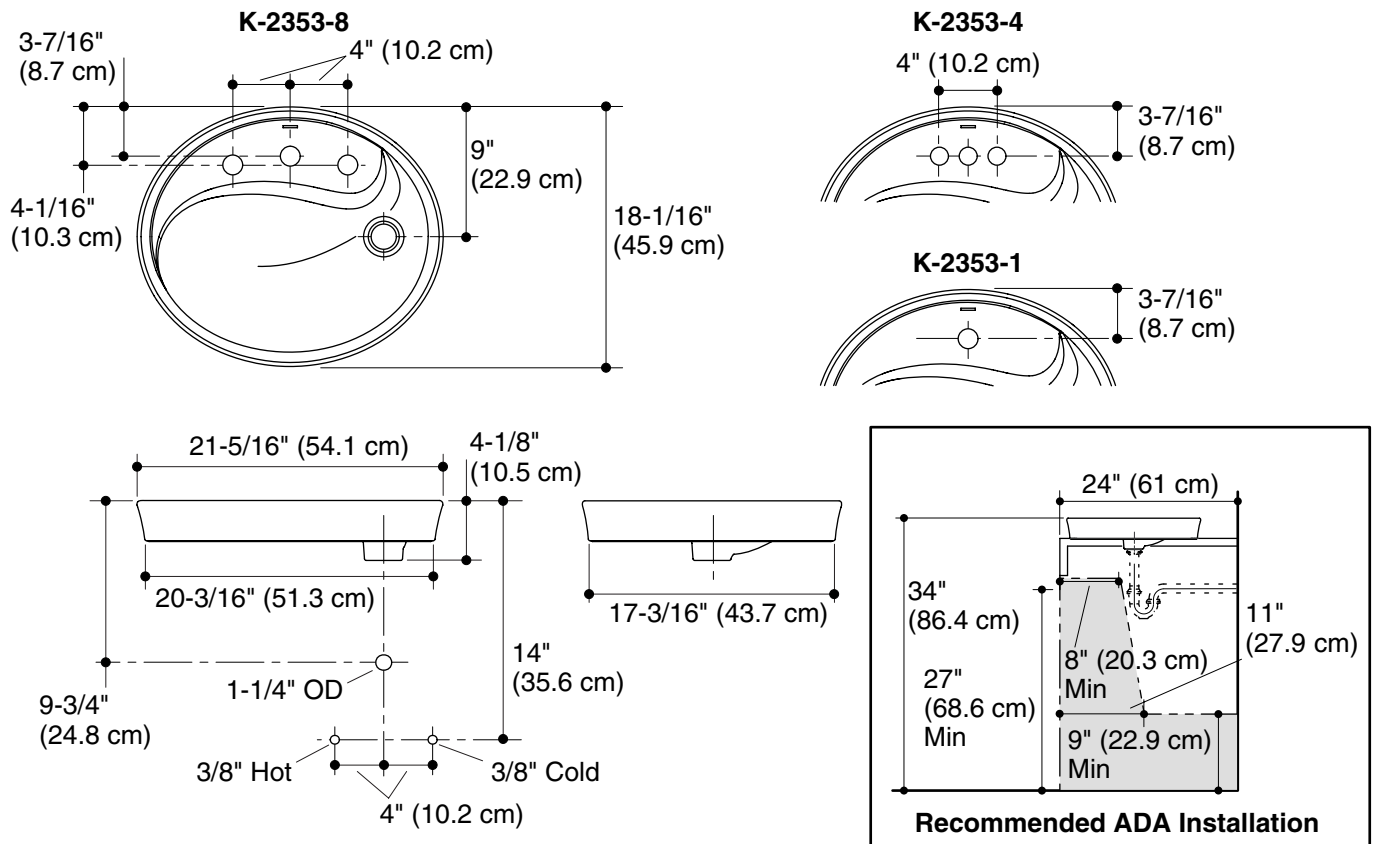
Product K-2353 is less overflow, K-2354 is with overflow.

**IMPORTANT!** Product rests on a countertop. Consider height of product when designing installation.

Choose a faucet that will provide adequate clearance and will direct the water stream to the center of the lavatory.

When installing a pop-up drain to this lavatory, it may be necessary to bend the drain linkage to allow proper reach to the faucet lift rod.

**NOTICE:** The countertop manufacturer or cutter must use the cut-out template provided with the product, or a current cut-out template provided by Kohler (1-800-43-FOCUS). Kohler is not responsible for cutout errors when an incorrect cut-out template is used.



## Product Diagram