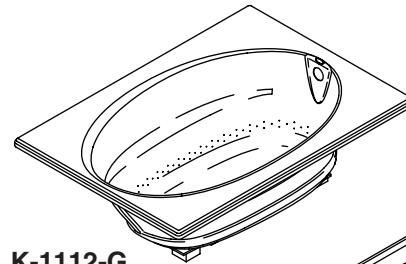


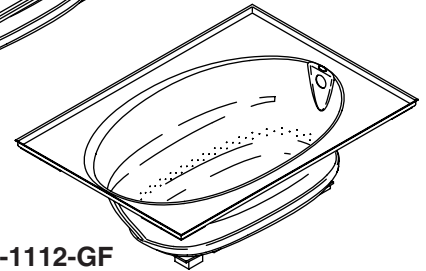
### Features

- Acrylic
- Rectangular shape
- 120 BubbleMassage™ airjets
- Molded lumbar supports and armrests
- Blower motor with 300 W heater, electronic user control, and grounding-type plug-in cord
- Available as drop-in rim style [-G] or drop-in, 4-side integral flange [-GF]
- 60" (152.4 cm) x 42" (106.7 cm) x 21" (53.3 cm)

### BATH WITH AIRJETS K-1112-G ALSO K-1112-GF



K-1112-G



K-1112-GF

### Codes/Standards Applicable

Specified model meets or exceeds the following:

- ANSI Z124.1.2
- IAPMO IGC 171
- ASTM E162
- ASTM E662
- UL 1795

### Colors/Finishes

- 0: White
- Other: Refer to Price Book for additional colors/finishes

### Accessories

- CP: Polished Chrome
- Other: Refer to Price Book for additional colors/finishes

### Specified Model

Model	Description	Colors/Finishes	
K-1112-G	Bath with airjets – drop-in rim style	<input type="checkbox"/> 0	<input type="checkbox"/> Other _____
K-1112-GF	Bath with airjets – drop-in, 4-side integral flange	<input type="checkbox"/> 0	<input type="checkbox"/> Other _____

#### Recommended Accessories

K-7166-AF	Pop-up drain with tailpiece – above or through-the-floor installation <b>OR</b>	<input type="checkbox"/> CP	<input type="checkbox"/> Other _____
K-11677	Trip lever drain with tailpiece – through-the-floor installation	<input type="checkbox"/> CP	<input type="checkbox"/> Other _____

### Product Specification

The acrylic bath with airjets shall be 60" (152.4 cm) in length, 42" (106.7 cm) in width, and 21" (53.3 cm) in height. Product shall be available as drop-in rim style [-G] or drop-in, 4-side integral flange [-GF]. Product shall have a blower motor with 300 W heater and an electronic user control with grounding-type plug-in cord. Product shall feature 120 BubbleMassage airjets and molded lumbar supports and armrests. Product shall be rectangular in shape. Bath with airjets shall be Kohler Model K-1112-\_\_\_\_-\_\_\_\_.

# WINDWARD™

## Technical Information

Fixture*:				
Bathing well:				
Basin area, bottom	43" (109.2 cm) x 20-1/2" (52.1 cm)			
Basin area, top	53-1/2" (135.9 cm) x 32-1/8" (81.6 cm)			
Weight	110 lbs (50 kg)			
To overflow:				
Water depth	15" (38.1 cm)			
Capacity	57 gal (215.9 L)			
* Approximate measurements for comparison only.				
Drop-in cutout dimensions:				
58-1/2" (148.6 cm) x 40-1/2" (102.9 cm)				
Blower motor	Heater	V	Hz	A
	300 W	120	60	5
Minimum access panel blower motor (required):				
20" (50.8 cm) W x 15" (38.1 cm) H				

## Required Electrical Service

Dedicated circuit required, protected with a Class A Ground-Fault Circuit-Interrupter (GFCI):	
Pump/control	120 V, 5 A, 60 Hz
Blower motor is supplied with a 24" (61 cm) grounding-type plug-in cord.	

## Installation Notes

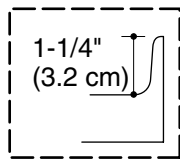
Install this product according to the installation guide.

Floor support under this product must provide for a minimum of 35 lbs/square foot (171 kg/square meter) loading.

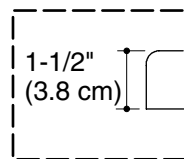
If installing a rim-mount faucet, make sure there is no interference with the drain overflow and circulating system before drilling any holes. Consult local and national codes for minimum air gap requirements if installing a spout on the faucet deck.

No change in measurements if connected with drain illustrated. (K-11677 or K-11677M)

Recommended faucet area

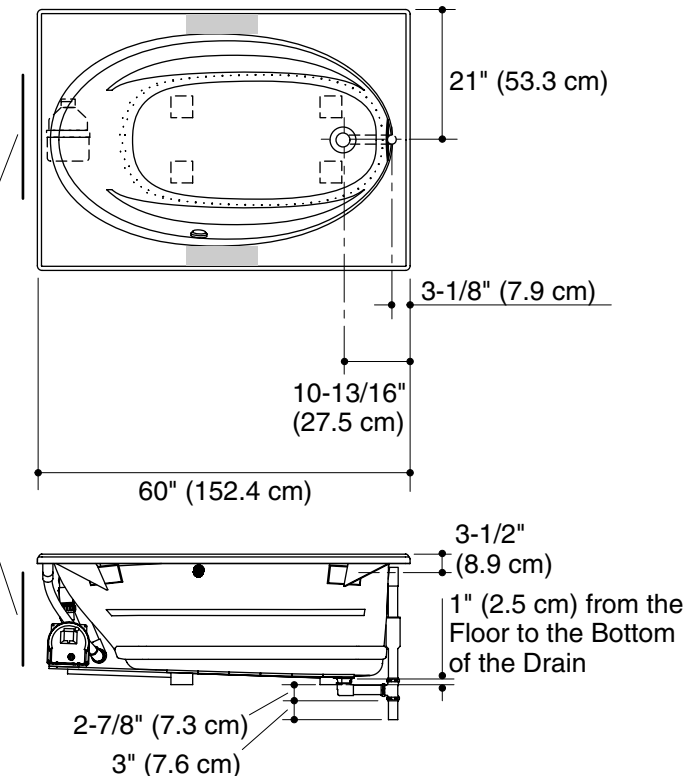
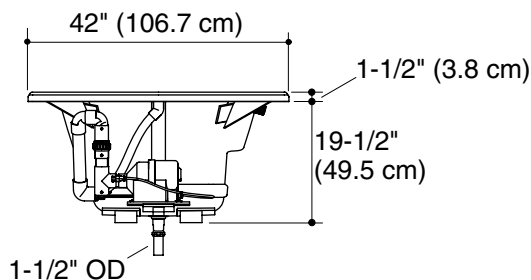


**Tile Flange Detail**



**Drop-In Rim Detail**

Blower/Control Access  
20" (50.8 cm) W x  
15" (38.1 cm) H Min



## Product Diagram