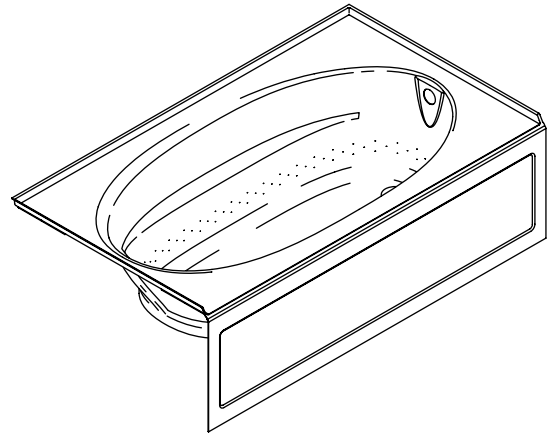


Features

- Acrylic
- Rectangular shape
- Integral apron with removable access panel
- 120 BubbleMassage™ airjets
- Blower motor is supplied with a grounding-type plug-in cord
- Molded lumbar supports and armrests
- Blower motor with 300 W heater and electronic user control
- 72" (182.9 cm) x 42" (106.7 cm) x 21" (53.3 cm)

BATH WITH AIRJETS, INTEGRAL APRON

K-1114-GLA
ALSO K-1114-GRA



Codes/Standards Applicable

Specified model meets or exceeds the following:

- ANSI Z124.1.2
- IAPMO IGC 171
- ASTM E162
- ASTM E662
- UL 1795

Colors/Finishes

- 0: White
- Other: Refer to Price Book for additional colors/finishes

Accessories:

- CP: Polished Chrome
- Other: Refer to Price Book for additional colors/finishes

Specified Model

Model	Description	Colors/Finishes	
K-1114-GLA	Bath – integral apron, left drain (not shown)	<input type="checkbox"/> 0	<input type="checkbox"/> Other_____
K-1114-GRA	Bath – integral apron, right drain (shown)	<input type="checkbox"/> 0	<input type="checkbox"/> Other_____

Recommended Accessories			
K-7166	Pop-up drain – above or through-the-floor installation OR	<input type="checkbox"/> CP	<input type="checkbox"/> Other_____
K-11677	Trip lever drain – through-the-floor installation	<input type="checkbox"/> CP	<input type="checkbox"/> Other_____

Product Specification

The acrylic bath with airjets shall be 72" (182.9 cm) in length, 42" (106.7 cm) in width, and 21" (53.3 cm) in height. Bath shall include an integral apron with removable access panel. Bath shall have a blower motor with 300 W heater and an electronic user control. Blower motor shall have a grounding-type plug-in cord. Bath shall have 120 BubbleMassage airjets, rectangular shape, molded lumbar supports, and molded armrests. Bath with airjets shall be Kohler Model K-1114-____-____.

WINDWARD™

Technical Information

Fixture*:				
Bathing well				
Basin area bottom	55" (139.7 cm) x 23-1/4" (59.1 cm)			
Basin area top	64" (162.6 cm) x 32" (81.3 cm)			
Weight	132 lbs (60 kg)			
To overflow				
Water depth	15" (38.1 cm)			
Capacity	78.5 gal (297 L)			
* Approximate measurements for comparison only.				
Blower motor	Heater	V	Hz	A
	300 W	120	60	5
Minimum access panel blower motor:				
20" (50.8 cm) W x 15" (38.1 cm) H			required	

Required Electrical Service

Dedicated circuit required, protected with a Class A Ground-Fault Circuit-Interrupter (GFCI):	
Pump/control	120 V, 5 A, 60 Hz
Locate the outlet behind the bath and within 24" (61 cm) of the pump.	

Installation Notes

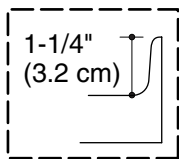
Install this product according to the installation guide.

Floor support under this product must provide for a minimum of 39 lbs/square foot (190 kg/square meter) loading.

If installing a rim-mount faucet, make sure there is no interference with the drain overflow and circulating system before drilling any holes. Consult local and national codes for minimum air gap requirements if installing a spout on the faucet deck.

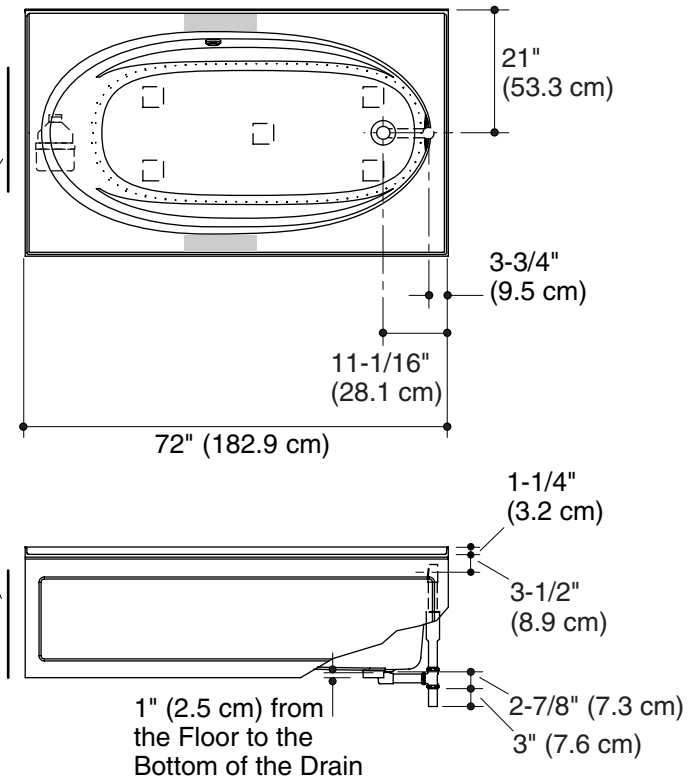
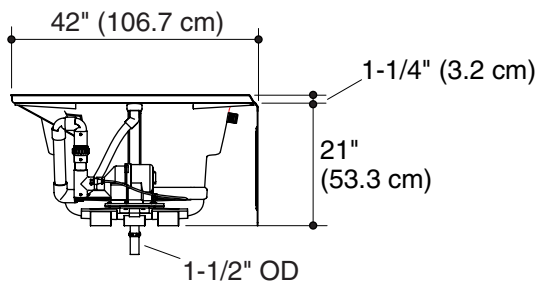
No change in measurements if connected with drain illustrated. (K-11677 or K-11677M)

Recommended faucet area



Tile Flange Detail

Blower/Control Access
20" (50.8 cm) W x
15" (38.1 cm) H Min



Product Diagram