

STERLING®

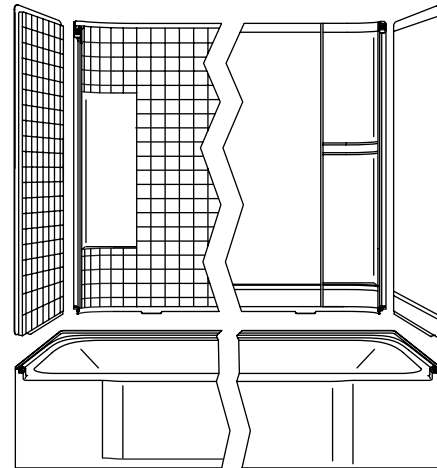
A KOHLER COMPANY

ACCORD®

Features

- Compression molded from our exclusive solid Vikrell® material
- Modular 4-piece design
- Pivot "snap together" installation
- Durable high-gloss finish
- Wall surround available with smooth finish or glazed tile appearance
- 10-year consumer/3-year commercial limited warranty
- Caulkless seam installation
- Not recommended as a bath only installation
- 15" (38.1 cm) bath depth (floor to top of threshold)
- 60-1/4" (153 cm) x 31-1/4" (79.4 cm) x 73-1/4" (186.1 cm) complete unit rough-in dimensions include flanges
- 60" (152.4 cm) x 30" (76.2 cm) x 72" (182.9 cm) complete unit finished dimensions

60" (152.4 cm) BATH AND WALL SURROUND
71140110
ALSO 71140120, 71240110, 71240120



Codes/Standards Applicable

Specified model meets or exceeds the following:

- ANSI Z124.1.2
- ASTM E162
- ASTM E662
- CSA B45.5

Colors/Finishes

- 0: White
- Other: Refer to Price Book for additional colors/finishes

Specified Model

Model	Complete Unit Description	Colors/Finishes	
71140110	60" (152.4 cm) bath and wall surround, tile wall, left drain	<input type="checkbox"/> 0	<input type="checkbox"/> Other _____
71140120	60" (152.4 cm) bath and wall surround, tile wall, right drain	<input type="checkbox"/> 0	<input type="checkbox"/> Other _____
71240110	60" (152.4 cm) bath and wall surround, smooth wall, left drain	<input type="checkbox"/> 0	<input type="checkbox"/> Other _____
71240120	60" (152.4 cm) bath and wall surround, smooth wall, right drain	<input type="checkbox"/> 0	<input type="checkbox"/> Other _____

Model	ADA Adaptive Component Description	Colors/Finishes	
71140116	Complete unit with age in place backers, left drain	<input type="checkbox"/> 0	<input type="checkbox"/> Other _____
71140126	Complete unit with age in place backers, right drain	<input type="checkbox"/> 0	<input type="checkbox"/> Other _____
71240116	Complete unit with age in place backers, left drain	<input type="checkbox"/> 0	<input type="checkbox"/> Other _____
71240126	Complete unit with age in place backers, right drain	<input type="checkbox"/> 0	<input type="checkbox"/> Other _____

Technical Information

Fixture*:	
Basin area:	
Bathing well	46-1/4" (117.5 cm) x 20-1/2" (52.1 cm)
Top area	52-1/4" (132.7 cm) x 22-1/2" (57.2 cm)
To overflow:	
Water depth	11" (27.9 cm)
Capacity	34 gal (128.7 L)
* Approximate measurements for comparison only.	

Model	door maximum width	door maximum height
71140110	56-3/4" (144.1 cm)	56-1/2" (143.5 cm)
71140120		
71240110		
71240120		

Installation Notes

Install this product according to the installation guide.

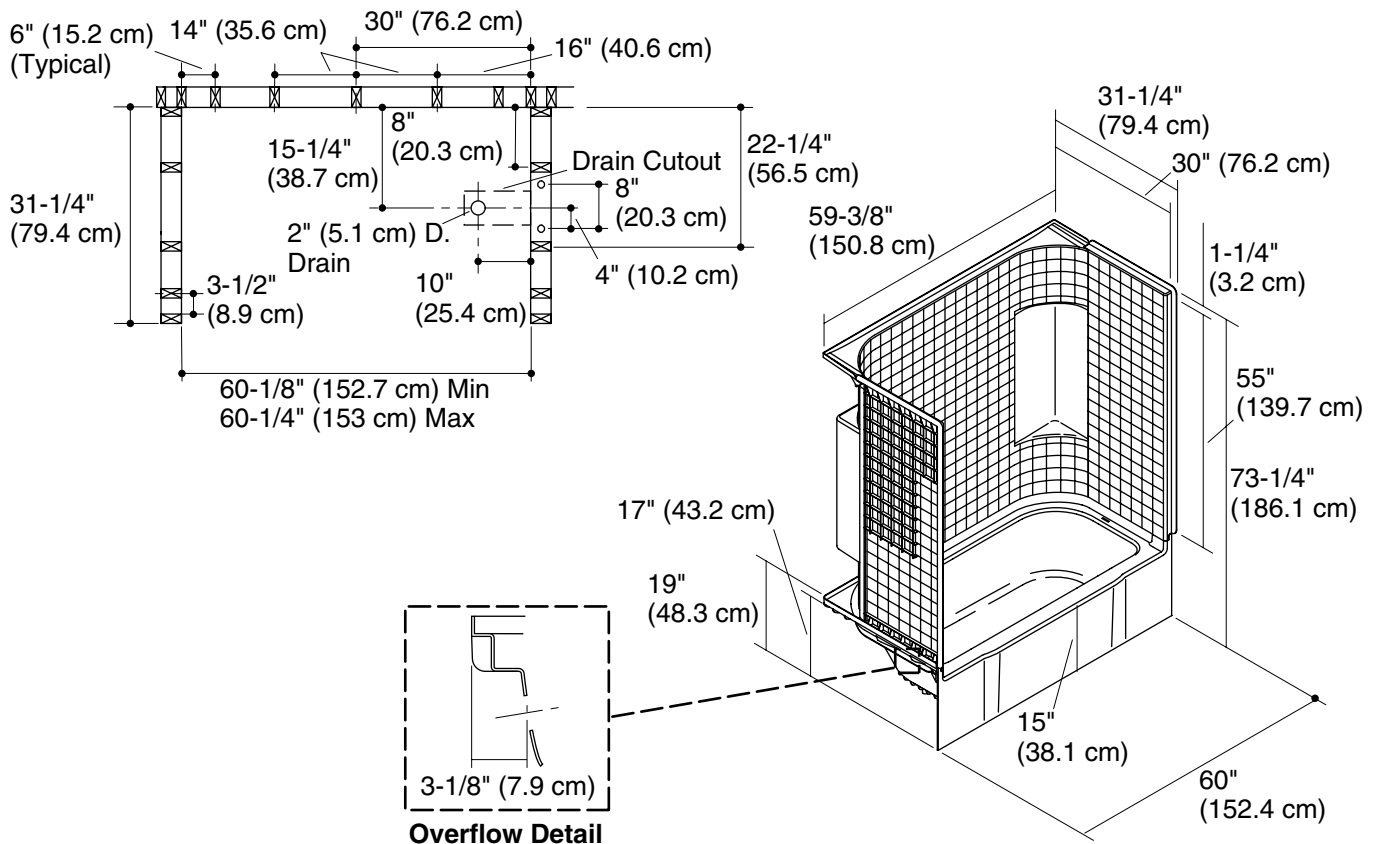
Product is designed to be used with a single-handle mixer valve with an escutcheon cover not to exceed 7-3/4" (19.7 cm) in width.

Size the drain cutout to fit the drain assembly that will be used.

Studs should be positioned roughly as shown.

Bath cannot be installed without the wall surround.

Width of back wall at the top transitions from 60" (152.4 cm) at the front to 59-3/8" (150.8 cm) in the back corners. Furring strips approximately 1/4" (6 mm) thick should be used at the back corner studs if drywall is to be installed over the nailing flange.



Product Diagram