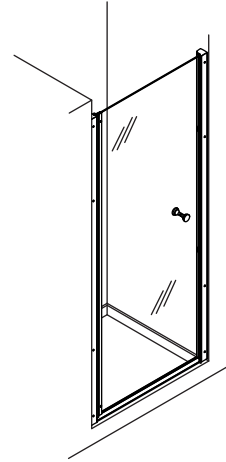


Features

- CleanCoat® glass coating
- Frameless design maximizes glass area
- Two roller-compression latches allow for smooth, secure door closure
- A concealed hinge provides smooth, stable operation
- Inside and outside elegant brass pull handles
- No top header eliminates clearance issues
- Aluminum components extruded from alloy 6063-T5
- Stainless steel hardware prevents rusting or corrosion
- 1/4" (6 mm) thick tempered glass
- Available in sizes to fit 28-3/4" (730 mm) to 39" (991 mm) opening

PIVOT SHOWER DOORS K-702400

ALSO K-702402, K-702404, K-702406



Codes/Standards Applicable

Specified model meets or exceeds the following:

- ANSI Z97.1 (tempered glass)

Glass Options

- L: Clear
- G54: Falling Lines
- G53: Rhapsody

Frame Finishes/Colors:

- SH: Bright Silver
- BH: Bright Brass
- MX: Matte Nickel
- ABV: Brushed Bronze

Specified Model

Model	Application	Glass Options			Frame Finishes/Colors			
K-702400	Shower	<input type="checkbox"/> L	<input type="checkbox"/> G54*	<input type="checkbox"/> G53	<input type="checkbox"/> SH	<input type="checkbox"/> BH	<input type="checkbox"/> MX	<input type="checkbox"/> ABV
K-702402	Shower	<input type="checkbox"/> L	<input type="checkbox"/> G54*	<input type="checkbox"/> G53	<input type="checkbox"/> SH	<input type="checkbox"/> BH	<input type="checkbox"/> MX	<input type="checkbox"/> ABV
K-702404	Shower	<input type="checkbox"/> L	<input type="checkbox"/> G54*	<input type="checkbox"/> G53	<input type="checkbox"/> SH	<input type="checkbox"/> BH	<input type="checkbox"/> MX	<input type="checkbox"/> ABV
K-702406	Shower	<input type="checkbox"/> L	<input type="checkbox"/> G54*	<input type="checkbox"/> G53	<input type="checkbox"/> SH	<input type="checkbox"/> BH	<input type="checkbox"/> MX	<input type="checkbox"/> ABV
K-702408	Shower	<input type="checkbox"/> L	<input type="checkbox"/> G54*	<input type="checkbox"/> G53	<input type="checkbox"/> SH	<input type="checkbox"/> BH	<input type="checkbox"/> MX	<input type="checkbox"/> ABV
K-702410	Shower	<input type="checkbox"/> L	<input type="checkbox"/> G54*	<input type="checkbox"/> G53	<input type="checkbox"/> SH	<input type="checkbox"/> BH	<input type="checkbox"/> MX	<input type="checkbox"/> ABV
* G54 glass option only available with Bright Silver or Matte Nickel frame colors								
Continued on next page								

Product Specification

Pivot shower door shall have a frameless design and CleanCoat glass coating. Door shall have inside and outside elegant brass pull handles. Door shall have two roller-compression latches allowing for smooth, secure door closure. Door shall have a concealed hinge providing a continuous contact point and smooth, stable operation. Door shall have no top header eliminating clearance issues. Door shall be made of 1/4" (6 mm) thick tempered glass. Door shall have aluminum components extruded from alloy 6063-T5. Door shall have stainless steel hardware to prevent rust or corrosion. Door shall include all installation hardware. Door shall have 1-1/2" (38 mm) width adjustability for out-of-plumb conditions. Door shall be available in sizes to fit 28-3/4" (730 mm) to 39" (991 mm) opening. Shower door shall be Kohler Model K-_____-_____-_____.

FLUENCE®

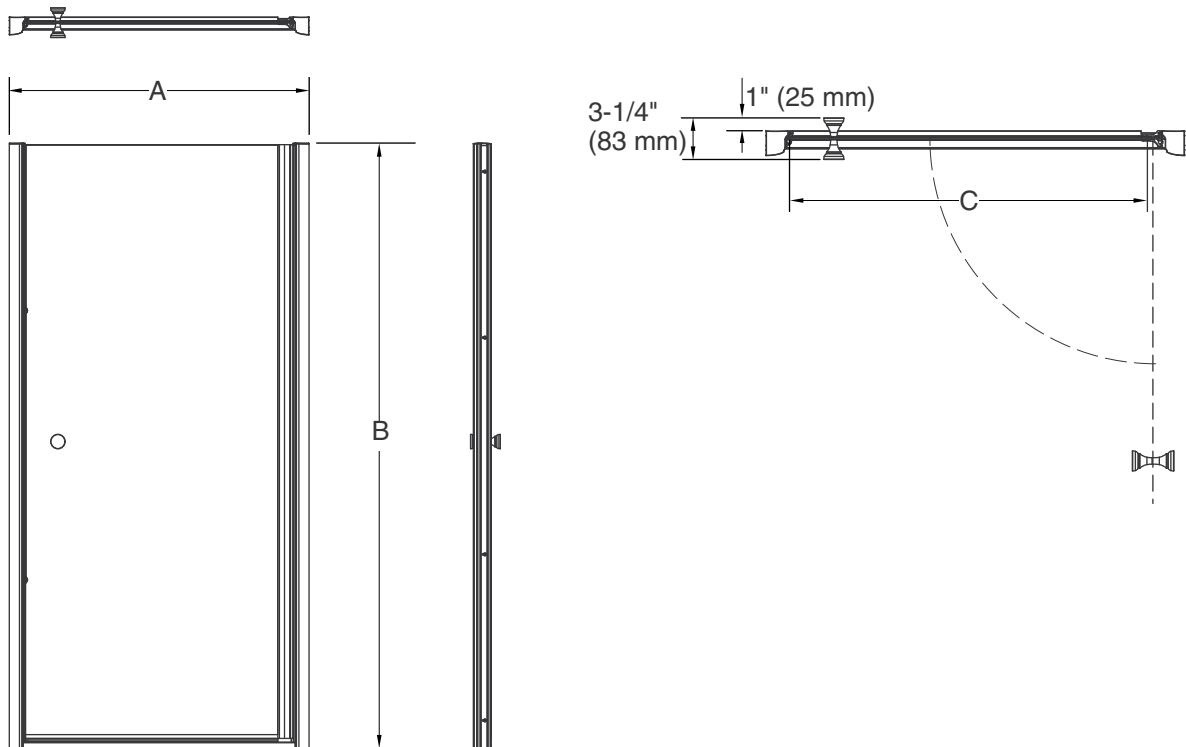
Model	Application	Glass Options			Frame Finishes/Colors			
K-702412	Shower	<input type="checkbox"/> L	<input type="checkbox"/> G54*	<input type="checkbox"/> G53	<input type="checkbox"/> SH	<input type="checkbox"/> BH	<input type="checkbox"/> MX	<input type="checkbox"/> ABV
K-702414	Shower	<input type="checkbox"/> L	<input type="checkbox"/> G54*	<input type="checkbox"/> G53	<input type="checkbox"/> SH	<input type="checkbox"/> BH	<input type="checkbox"/> MX	<input type="checkbox"/> ABV
K-702416	Shower	<input type="checkbox"/> L			<input type="checkbox"/> SH			

* G54 glass option only available with Bright Silver or Matte Nickel frame colors

Installation Notes

Install this product according to the installation guide.

Roughing-In Notes			
Model	A Width (Max / Min)	B (Height)	C (Walk Through Max)
K-702400	30-1/4" (768 mm) / 28-3/4" (730 mm)	65-1/2" (1664 mm)	23-13/16" (605 mm)
K-702402	31-1/2" (800 mm) / 30" (762 mm)	65-1/2" (1664 mm)	25-1/16" (637 mm)
K-702404	32-3/4" (832 mm) / 31-1/4" (794 mm)	65-1/2" (1664 mm)	26-5/16" (668 mm)
K-702406	34" (864 mm) / 32-1/2" (826 mm)	65-1/2" (1664 mm)	27-9/16" (700 mm)
K-702408	35-1/4" (895 mm) / 33-3/4" (857 mm)	65-1/2" (1664 mm)	28-13/16" (732 mm)
K-702410	36-1/2" (927 mm) / 35" (889 mm)	65-1/2" (1664 mm)	30-1/16" (764 mm)
K-702412	37-3/4" (959 mm) / 36-1/4" (921 mm)	65-1/2" (1664 mm)	31-5/16" (795 mm)
K-702414	39" (991 mm) / 37-1/2" (953 mm)	65-1/2" (1664 mm)	32-9/16" (827 mm)
K-702416	28-3/4" (730 mm) / 27-1/4" (692 mm)	65-1/2" (1664 mm)	22-9/16" (573 mm)



Product Diagram