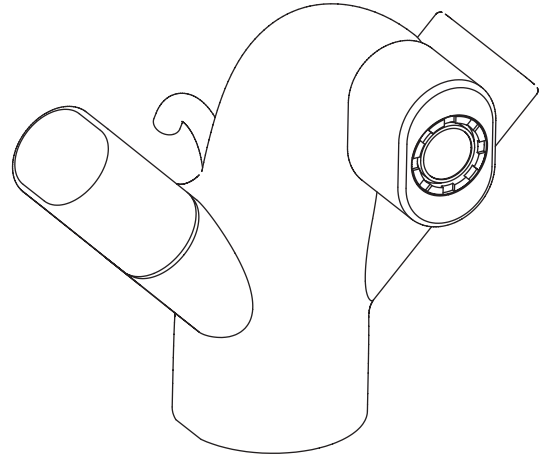


**BIDET FAUCET
K-10088**

Features

- Brass construction
- Lower flow aerator options are available (refer to the Kohler Price Book)
- Flexible connections for easy installation
- Single-hole mounting
- 2.2 gpm (8.3 lpm)
- One-piece, self-contained ceramic disc valve
- Oval handle
- Includes pop-up drain
- 3-7/16" (8.7 cm) spout length



Codes/Standards Applicable

Specified model meets or exceeds the following:

- ASME A112.18.1/CSA B125.1
- IAPMO/cUPC
- NSF 61

Colors/Finishes

- CP: Polished Chrome
- Other: Refer to Price Book for additional colors/finishes

Specified Model

Model	Description	Colors/Finishes	
		<input type="checkbox"/> CP	<input type="checkbox"/> Other ____
K-10088	Bidet faucet		

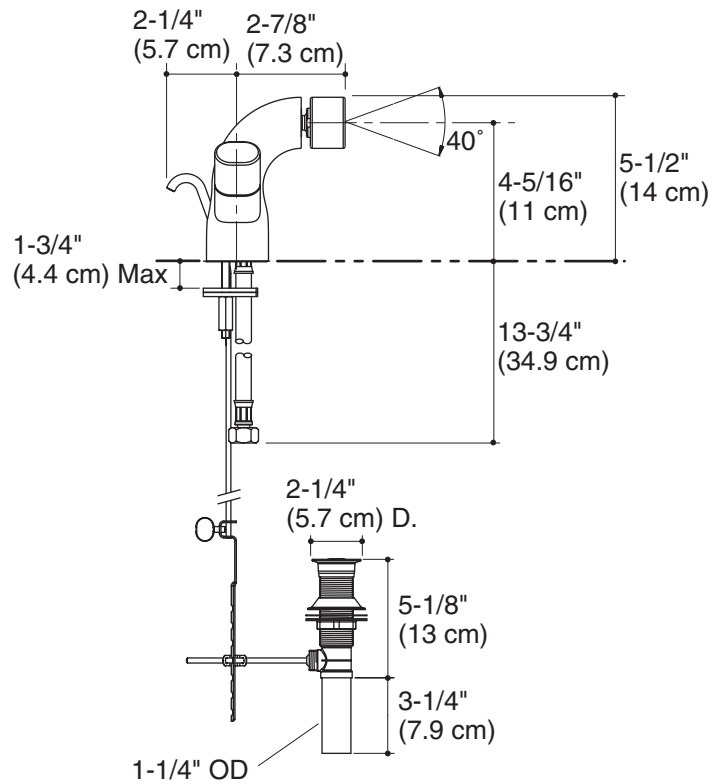
Product Specification

The single-control bidet faucet shall be made of brass construction. The bidet faucet shall have a one-piece, self-contained ceramic disc valve. The bidet faucet shall feature single-hole mounting. The bidet faucet shall have a 2.2 gal (8.3 l) per minute flow rate and 3-7/16" (8.7 cm) spout length. The bidet faucet shall have lower flow aerator options available. The bidet faucet shall include flexible connections for easy installation, oval handle, and pop-up drain. The bidet faucet shall be Kohler Model K-10088-_____.

OBLO™

Installation Notes

Install this product according to the installation guide.



Product Diagram