

COUNTERTOP LAVATORY K-2381

ADA

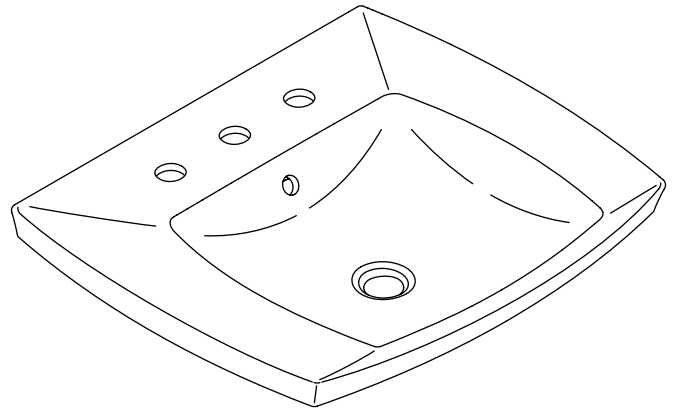
Features

- Vitreous china
- Self-rimming
- With overflow
- 8" (20.3 cm) centers (-8), 4" (10.2 cm) centers (-4), or single-hole (-1)
- Designed to also install to K-2515 petite vanity
- 23-7/16" (59.5 cm) x 20-11/16" (52.5 cm) x 5-5/16" (13.5 cm)

Codes/Standards Applicable

Specified model meets or exceeds the following:

- ADA
- ASME A112.19.2/CSA B45.1
- ICC/ANSI A117.1



Colors/Finishes

- 0: White
- Other: Refer to Price Book for additional colors/finishes

Accessories:

- CP: Polished Chrome

Specified Model

Model	Description	Colors/Finishes	
K-2381-1	Single-hole lavatory	<input type="checkbox"/> 0	<input type="checkbox"/> Other_____
K-2381-4	4" (10.2 cm) centers lavatory	<input type="checkbox"/> 0	<input type="checkbox"/> Other_____
K-2381-8	8" (20.3 cm) centers lavatory (shown)	<input type="checkbox"/> 0	<input type="checkbox"/> Other_____
Recommended Accessory			
K-8998	Adjustable P-trap		<input type="checkbox"/> CP

Product Specification

The self-rimming lavatory shall be made of vitreous china. Lavatory shall be 23-7/16" (59.5 cm) in length, 20-11/16" (52.5 cm) in width, and 5-5/16" (13.5 cm) in depth. Lavatory shall have 8" (20.3 cm) centers (-8), 4" (10.2 cm) centers (-4), or single-hole (-1). Lavatory shall be with overflow. Lavatory shall be Kohler Model K-2381-_____-_____.

KELSTON™

Technical Information

Fixture*:	
Basin area	15-3/8" (39.1 cm) x 13-3/16" (35.1 cm)
Water depth	1-7/8" (4.8 cm)
Drain hole	1-3/4" (4.4 cm) D.
* Approximate measurements for comparison only.	

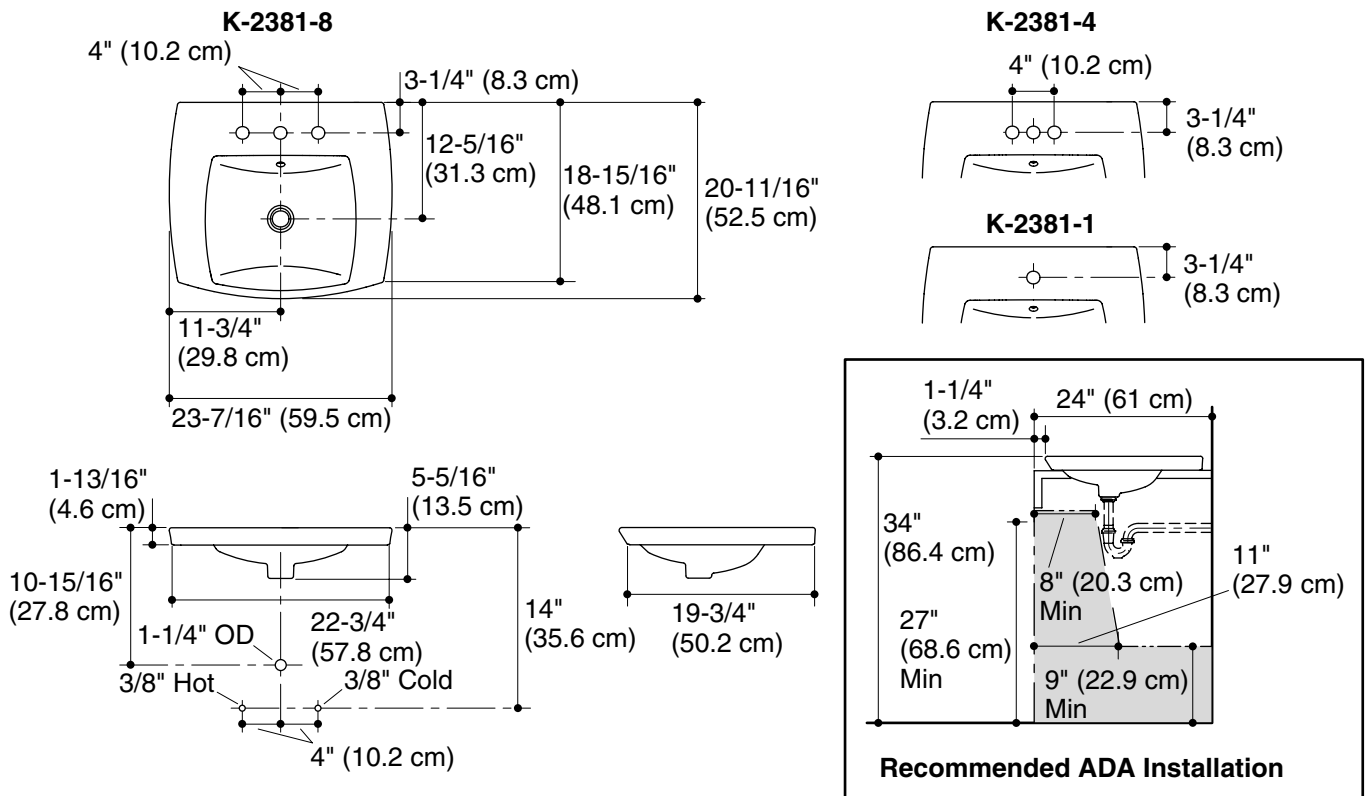
Included components:	
Cut-out template	1081943-7

Holes	K-2381-1	K-2381-4	K-2381-8
Spout	1-3/8" (3.5 cm) D.	1-1/4" (3.2 cm) D.	1-3/8" (3.5 cm) D.
Faucet		1-1/4" (3.2 cm) D.	1-3/8" (3.5 cm) D.

Installation Notes

Install this product according to the installation guide. When installing with the K-2515 petite vanity, refer to the installation guide packed with the vanity.

NOTICE: Countertop manufacturer or cutter **must** use the cut-out template provided with the product, or a current one provided by Kohler Co. (call 1-800-4-KOHLER). Kohler Co. is not responsible for cutout errors when the incorrect cut-out template is used.



Product Diagram