

**Features**

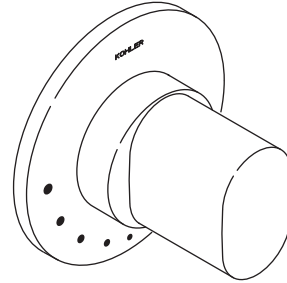
- Brass construction
- Front seal plate assembly
- Handle assembly
- Available with oblong handle

**SINGLE CONTROL FAUCET TRIM**  
**K-T10058-9**  
**ALSO K-T10067-9, K-T10069-9**

**Codes/Standards Applicable**

Specified model meets or exceeds the following:

- ASME A112.18.1/CSA B125.1



**Colors/Finishes**

- CP: Polished Chrome
- Other: Refer to Price Book for additional colors/finishes
- NA: None applicable

**Accessories**

- NA: None applicable

**Specified Model**

| Model      | Description             | Colors/Finishes             |                                     |
|------------|-------------------------|-----------------------------|-------------------------------------|
| K-T10058-9 | Transfer valve trim     | <input type="checkbox"/> CP | <input type="checkbox"/> Other ____ |
| K-T10067-9 | Volume control trim     | <input type="checkbox"/> CP | <input type="checkbox"/> Other ____ |
| K-T10069-9 | Thermostatic valve trim | <input type="checkbox"/> CP | <input type="checkbox"/> Other ____ |

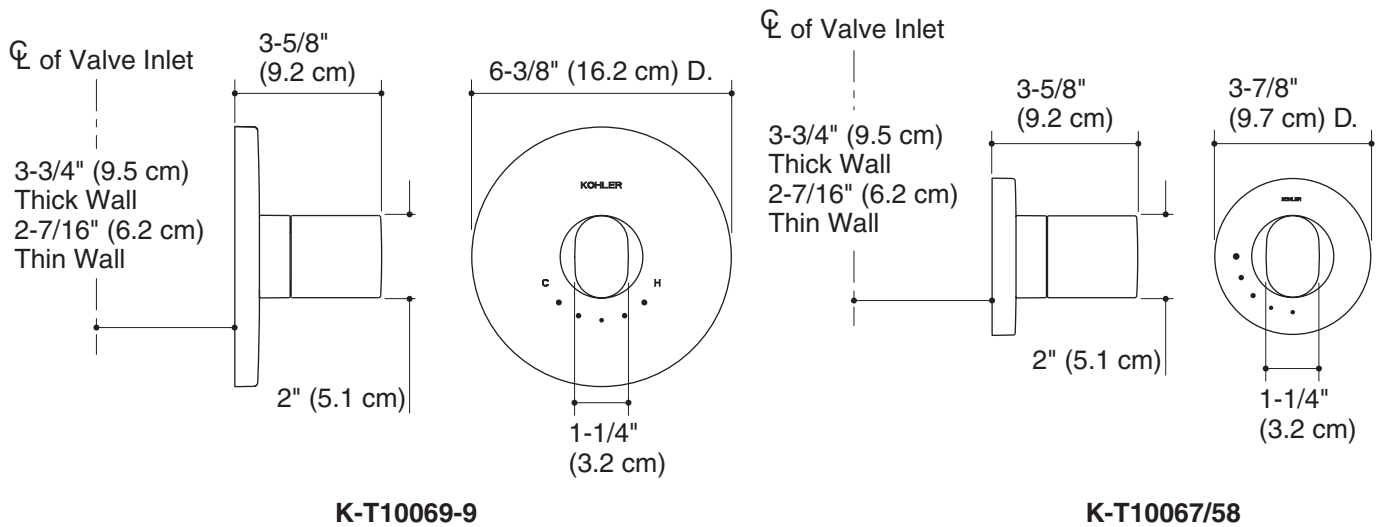
| Required Accessories |                         |                             |
|----------------------|-------------------------|-----------------------------|
| K-669-KS             | 3/4" Thermostatic valve | <input type="checkbox"/> NA |
| K-671-K              | 3/4" Volume control     | <input type="checkbox"/> NA |
| K-679-KS             | 1/2" Thermostatic valve | <input type="checkbox"/> NA |
| K-681-K              | 1/2" Volume control     | <input type="checkbox"/> NA |
| K-728-K              | 3/4" Transfer valve     | <input type="checkbox"/> NA |

**Product Specification**

The thermostatic valve faucet trim shall be made of brass construction. Faucet trim shall include front seal plate assembly and handle assembly. Faucet trim shall be available with an oblong handle. Faucet trim shall be Kohler Model K-T\_\_\_\_-9-\_\_\_\_ and valving shall be K\_\_\_\_-\_\_\_\_-NA.

## Installation Notes

Install this product according to the installation guide.



## Product Diagram