

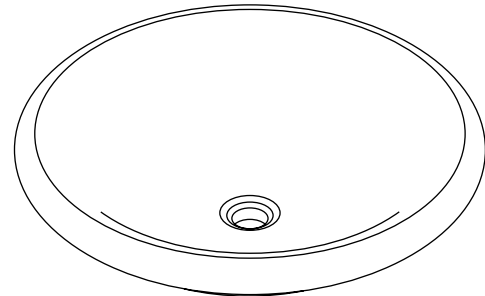
Features

- Marble
- Without overflow
- Above-the-counter installation
- 17" (43.2 cm) diameter

Codes/Standards Applicable

Specified model meets or exceeds the following:

- ADA
- ICC/ANSI A117.1



Colors/Finishes

- WH: White Carrera Marble

Accessories

- CP: Polished Chrome
- Other: Refer to Price Book for additional colors/finishes
- NA: None applicable

Specified Model

Model	Description	Colors/Finishes	
K-2393	Vessels lavatory	<input type="checkbox"/> WH	
Required Accessories			
K-7107	Decorative grid drain without overflow OR	<input type="checkbox"/> CP	<input type="checkbox"/> Other _____
K-7108	Decorative grid drain without overflow	<input type="checkbox"/> CP	<input type="checkbox"/> Other _____
Recommended Accessories			
K-307-K	Wall-mount valve AND	<input type="checkbox"/> NA	
K-T198	Falling Water® faucet trim with 10-1/4" (26 cm) spout OR	<input type="checkbox"/> CP	<input type="checkbox"/> Other _____
K-T199	Falling Water faucet trim with 12" (30.5 cm) spout	<input type="checkbox"/> CP	<input type="checkbox"/> Other _____
K-9018	P-Trap	<input type="checkbox"/> CP	<input type="checkbox"/> Other _____

Product Specification

The marble vessels lavatory shall be 17" (43.2 cm) in diameter. Lavatory shall be for above-the-counter installation. Lavatory shall be without overflow. Lavatory shall be Kohler Model K-2393-WH.

BOTTICELLI®

Technical Information

Fixture:*	
Basin area	17" (43.2 cm) D.
Water depth	4-5/16" (11 cm)
Drain hole	1-3/4" (4.4 cm) D.
* Approximate measurements for comparison only.	
Included components:	
Cut-out template	1096149-7

Installation Notes

Install this product according to the installation guide.

Product does not have an overflow.

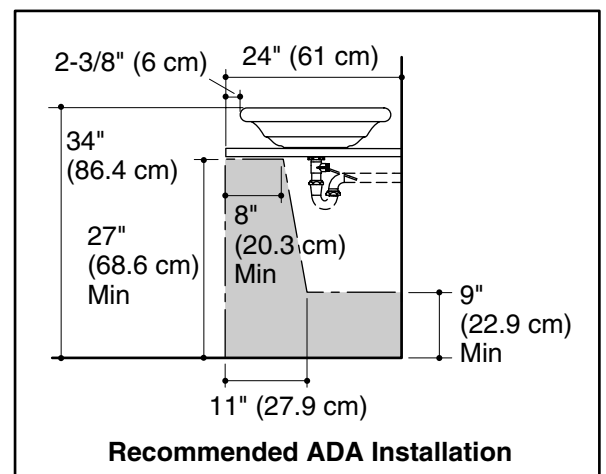
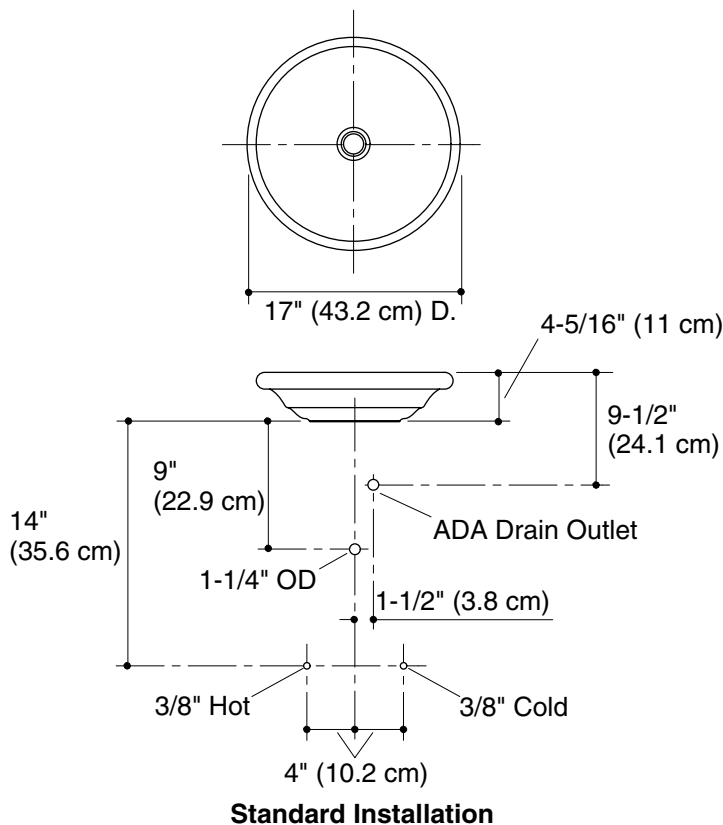
Will comply with **ADA** when installed per section 606 Lavatories of the Act.

Choose a faucet that will provide adequate clearance and will direct the water stream to the center of the lavatory.

Spout must be mounted high enough to clear 4-5/16" (11 cm) rim height and provide a 1" (2.5 cm) min air gap per ASME A112.1.2.

NOTICE: Countertop manufacturer or cutter must use the cut-out template provided with the product, or a current one provided by Kohler (call 1-800-4-KOHLER). Kohler is not responsible for cutout errors when incorrect cut-out template is used.

Product rests on a countertop. Consider height of product when designing installation.



Product Diagram