

WADING POOL® LAVATORY K-2388

ADA

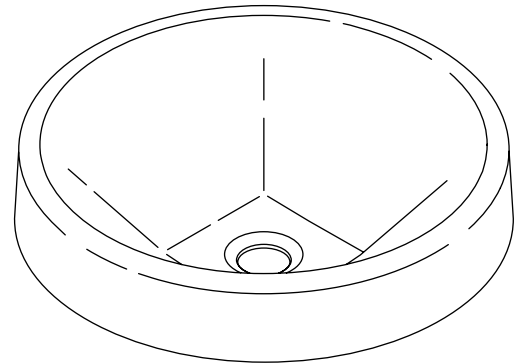
Features

- KOHLER cast iron
- Self-rimming
- Without overflow
- Less faucet hole
- Countertop installation
- 16-1/2" (419 mm) diameter

Codes/Standards Applicable

Specified model meets or exceeds the following:

- ADA
- ICC/ANSI A117.1
- CSA B45
- IAPMO/cUPC
- ASME A112.19.1



Colors/Finishes

- 0: White
- Other: Refer to Price Book for additional colors/finishes

Accessories:

- CP: Polished Chrome
- Other: Refer to Price Book for additional colors/finishes

Specified Model

Model	Description	Colors/Finishes	
K-2388	Wading Pool lavatory	<input type="checkbox"/> 0	<input type="checkbox"/> Other_____
Recommended Accessories			
K-9018	Adjustable P-trap with extension	<input type="checkbox"/> CP	<input type="checkbox"/> Other_____
K-7124	Pop-up lavatory drain	<input type="checkbox"/> CP	<input type="checkbox"/> Other_____

Product Specification

The self-rimming cast iron lavatory shall be 16-1/2" (419 mm) in diameter. Lavatory shall be without overflow and less faucet hole. Lavatory shall be countertop installation. Lavatory shall be Kohler Model K-2388-_____.

INSCRIBE™

Technical Information

Fixture*:	
Basin area	Ø 14-3/4" (375 mm)
Water depth	4-9/16" (116 mm)
Drain hole	Ø 1-3/4" (44 mm)
* Approximate measurements for comparison only.	
Included component:	
Cut-out template	1091072-7

Installation Notes

Install this product according to the installation guide.

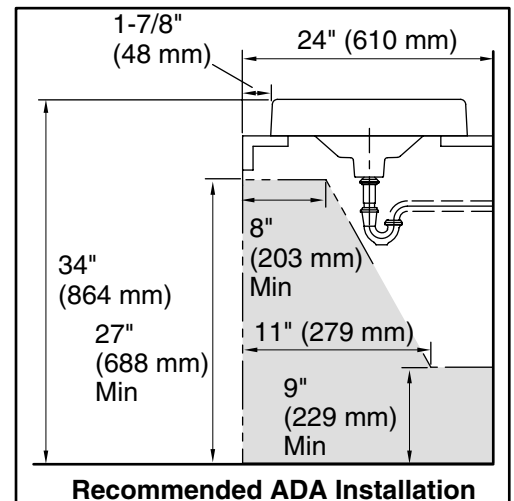
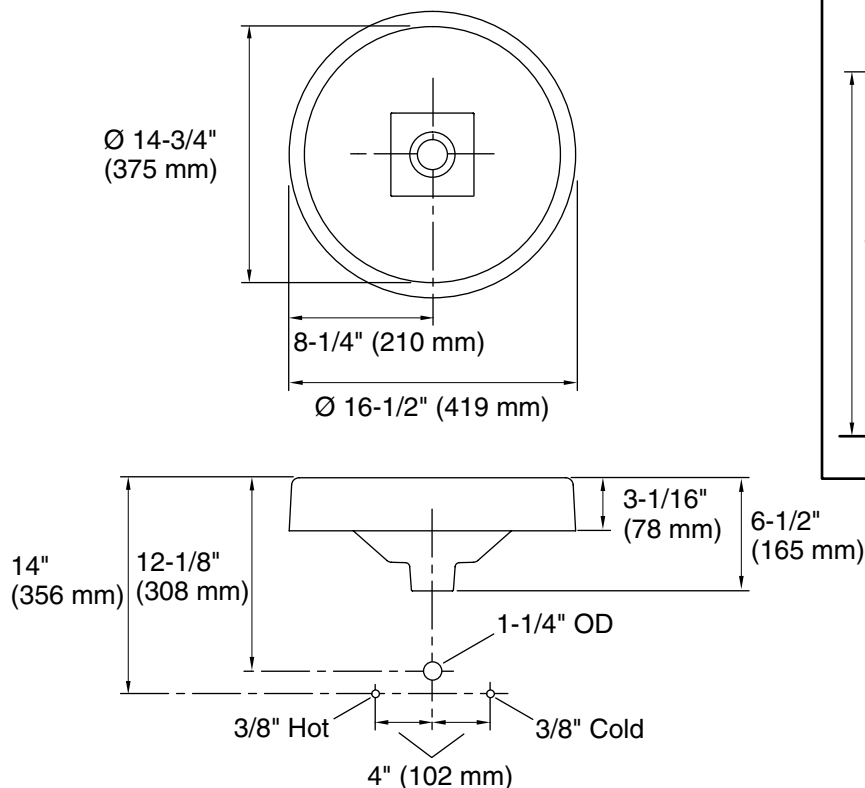
Product does not have overflow.

NOTICE: The countertop manufacturer or cutter **must** use the cut-out template provided with the product, or a current cut-out template provided by the Kohler Co. (call 1-800-4-KOHLER). Kohler Co. is not responsible for errors when the incorrect cut-out template is used.

The spout must be a minimum of 5" (127 mm) long for adequate clearance into the lavatory when installed with the centerline, as shown.

The spout must be tall enough to clear the 3-1/16" (78 mm) rim height and provide a 1" (25 mm) air gap per ASME A112.1.2.

Will comply with **ADA** when installed per section 606 Lavatories of the Act.



Product Diagram