

Features

- CleanCoat® technology creates a barrier between the water and glass to help keep your shower door looking new.
- Frameless design highlights showering area.
- Frameless, 1/4" (6 mm) thick Crystal Clear tempered glass.
- Continuous guide mechanism for smooth, quiet sliding action and easy cleaning.
- Gently curved towel bars inside and out complete the look of this door.

Material

- Anodized aluminum prevents rusting or corrosion.
- Tempered glass ensures maximum safety and durability.

Installation

- Out-of-plumb adjustability allows for simpler installation.
- Can be installed to open to the left or right.

Components

Additional included component/s: Hardware kit.



Codes/Standards

CPSC 16CFR 1201
ANSI Z97.1 (Tempered Glass)

KOHLER® One-Year Limited Warranty

See website for detailed warranty information.

Available Color/Finishes

Color tiles intended for reference only.

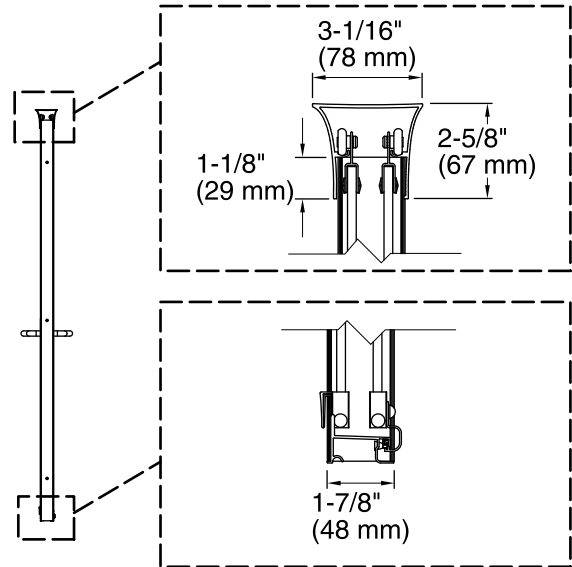
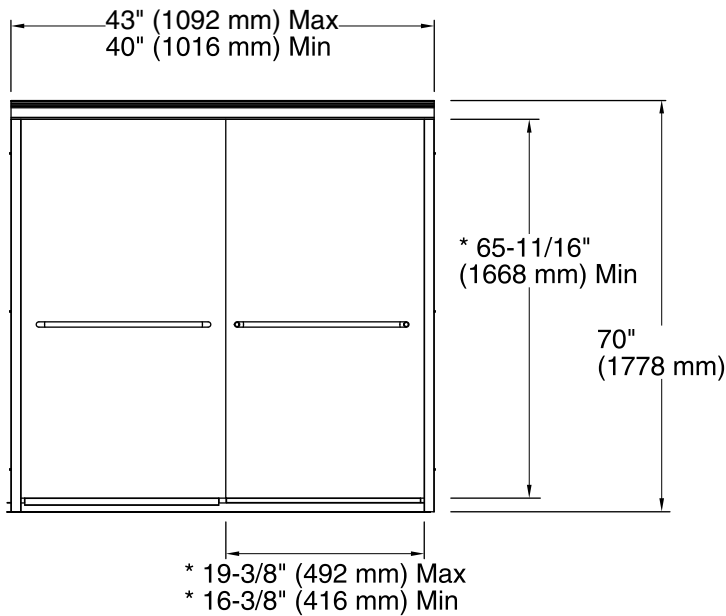
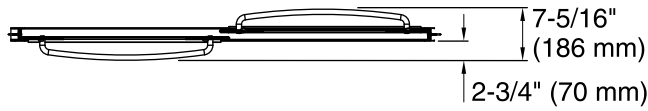
Color	Code	Description
-------	------	-------------

	SHP	Bright Polished Silver
--	-----	------------------------

Available Glass Options

Code	Description
------	-------------

L	Crystal Clear
---	---------------



* Walk-through

Technical Information

All product dimensions are nominal.

Installation type:	For shower base installation
Opening style:	Sliding/Bypass
Opening Width - Min:	49" (1245 mm)
Opening Width - Max:	52" (1321 mm)
Walk-through - Min:	20-7/8" (530 mm)
Walk-through - Max:	23-7/8" (606 mm)
Glass thickness:	1/4" (6 mm)
Glass coating:	CleanCoat®

Notes

Install this product according to the installation guide.

The vertical opening should be a minimum of 71-3/4" (1822 mm) to allow for installation clearance.