

**SLOTTED OVERFLOW BATH DRAIN  
K-7271**

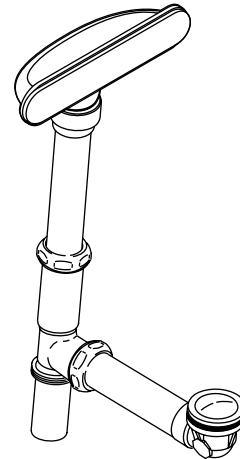
**Features**

- Brass construction
- Toe-activated closing
- No internal linkages to reduce clogging
- Swivel-ball joint construction
- Above or through-the-floor installation ensures flexibility during installation
- Includes a tee, drain ell, and overflow ell
- Vibrant PVD coating

**Codes/Standards Applicable**

Specified model meets or exceeds the following:

- ASME A112.18.2/CSA B125.2



**Colors/Finishes**

- CP: Polished Chrome
- Other: Refer to Price Book for additional colors/finishes

**Specified Model**

| Model  | Description                 | Colors/Finishes             |                                     |
|--------|-----------------------------|-----------------------------|-------------------------------------|
| K-7271 | Slotted overflow bath drain | <input type="checkbox"/> CP | <input type="checkbox"/> Other_____ |

**Product Specification**

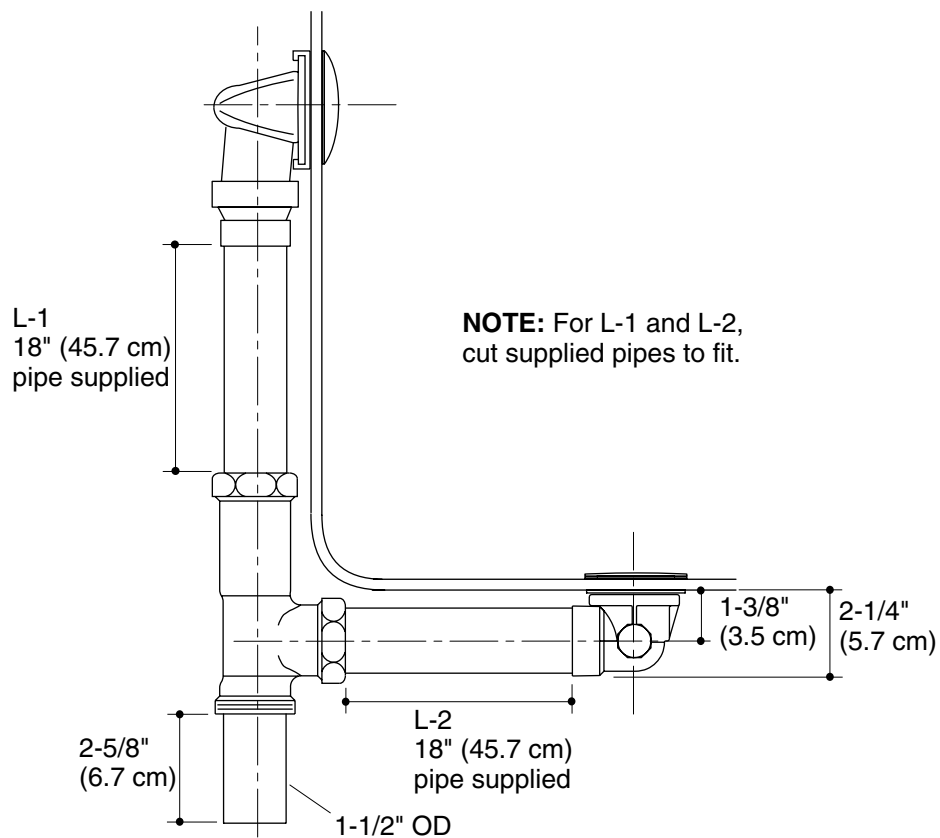
The slotted overflow bath drain shall be of brass construction. Product shall feature toe-activated closing with no internal linkages which reduces clogging. Product shall feature swivel-ball joint construction that allows proper fit and sealing to the bath. Product shall feature a vibrant PVD coating. Product shall include a tee, drain ell, and overflow ell. Product shall be for above or through-the-floor installation, which ensures flexibility during installation. Bath drain shall be Kohler Model K-7271-\_\_\_\_\_.

# CLEARFLO

## Installation Notes

Install this product according to the installation guide.

The PVC tubing noted as L-1 and L-2 are supplied and must be cut to the correct length.



## Product Diagram

CLEARFLO SLOTTED OVERFLOW BATH DRAIN

Page 2 of 2  
1101729-4-A

THE BOLD LOOK  
OF **KOHLER**