

STERLING®

A KOHLER COMPANY

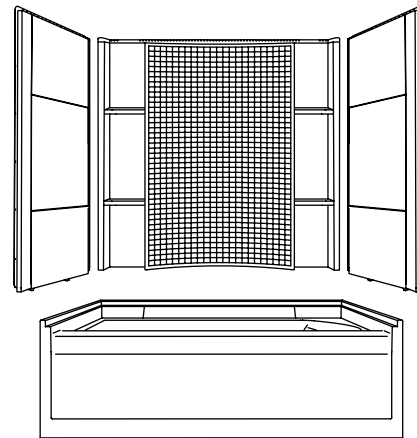
ACCORD™

Features

- Compression molded from our exclusive solid Vikrell® material
- Modular 4-piece design
- Pivot "snap together" installation
- Caulkless installation
- Durable high-gloss finish
- 10-year consumer/3-year commercial limited warranty
- 20" (50.8 cm) bath depth (floor to top of threshold)
- 60-1/4" (153 cm) x 37-1/4" (94.6 cm) x 77-1/2" (196.9 cm) complete unit rough-in dimensions include flanges
- 60" (152.4 cm) x 36" (91.4 cm) x 76-1/4" (193.7 cm) complete unit finished dimensions

60" (152.4 cm) BATH AND WALL SURROUND

71160110
ALSO 71160120



Codes/Standards Applicable

Specified model meets or exceeds the following:

- ANSI Z124.1.2
- CSA B45
- ASTM E162
- ASTM E662

Colors/Finishes

- 0: White
- Other: Refer to Price Book for additional colors/finishes

Specified Model

Model	Complete Unit Description	Colors/Finishes	
71160110	60" (152.4 cm) bath and wall surround with left drain	<input type="checkbox"/> 0	<input type="checkbox"/> Other _____
71160120	60" (152.4 cm) bath and wall surround with right drain	<input type="checkbox"/> 0	<input type="checkbox"/> Other _____

Technical Information

Fixture*:	
Bathing well:	
Basin area	22-7/8" (58.1 cm) x 46" (116.8 cm)
Top area	24-7/8" (63.2 cm) x 50-7/8" (129.2 cm)
To overflow:	
Water depth	15-1/8" (38.4 cm)
Capacity	70 gal (263.5 L)
* Approximate measurements for comparison only.	

Model	door maximum width	door maximum height
71160110	56-3/4" (144.1 cm)	55-7/8" (141.9 cm)
71160120		

Installation Notes

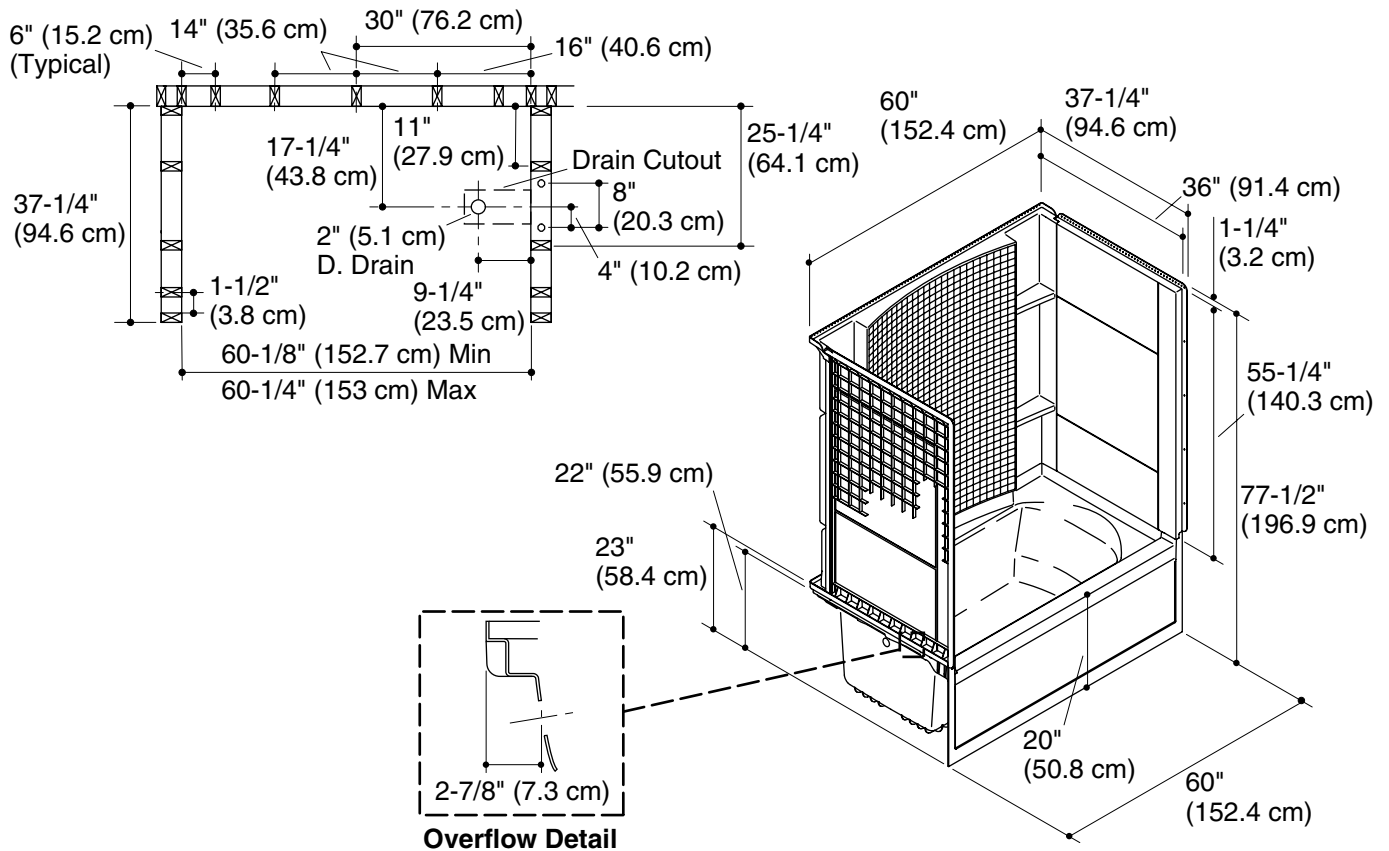
Install this product according to the installation guide.

Size the drain cutout to fit the drain assembly that will be used.

End stud positioning is critical.

Studs should be positioned roughly as shown for wall surround installation.

Bath cannot be installed without the wall surround.



Product Diagram