

Features

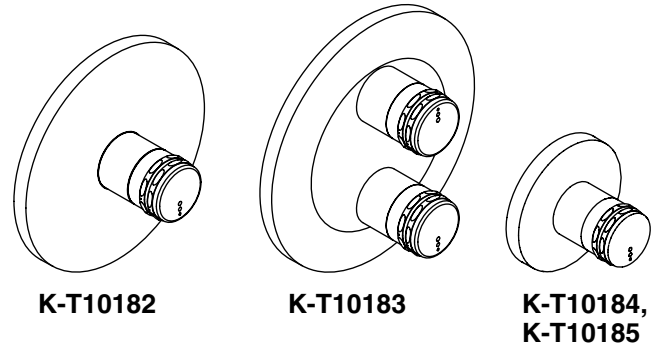
- Brass construction
- Front seal plate assembly
- Handle assembly

THERMOSTATIC FAUCET TRIM
K-T10182
ALSO K-T10183, K-T10184, K-T10185

Codes/Standards Applicable

Specified model meets or exceeds the following:

- ASME A112.18.1/CSA B125.1



Colors/Finishes

- CP: Polished Chrome
- Other: Refer to Price Book for additional colors/finishes

Accessories

- NA: None applicable

Specified Model

Model	Description	<input type="checkbox"/> CP	<input type="checkbox"/> Other_____
K-T10182-7	Thermostatic valve trim	<input type="checkbox"/> CP	<input type="checkbox"/> Other_____
K-T10183-7	Stacked thermostatic valve trim	<input type="checkbox"/> CP	<input type="checkbox"/> Other_____
K-T10184-7	Volume control trim	<input type="checkbox"/> CP	<input type="checkbox"/> Other_____
K-T10185-7	Transfer valve trim	<input type="checkbox"/> CP	<input type="checkbox"/> Other_____

Required Accessories		
K-669-KS	3/4" thermostatic valve	<input type="checkbox"/> NA
K-670-KS	3/4" stacked thermostatic valve	<input type="checkbox"/> NA
K-671-K	3/4" volume control	<input type="checkbox"/> NA
K-679-KS	1/2" thermostatic valve	<input type="checkbox"/> NA
K-680-KS	1/2" stacked thermostatic valve	<input type="checkbox"/> NA
K-681-K	1/2" volume control	<input type="checkbox"/> NA
K-728-K	3/4" transfer valve	<input type="checkbox"/> NA

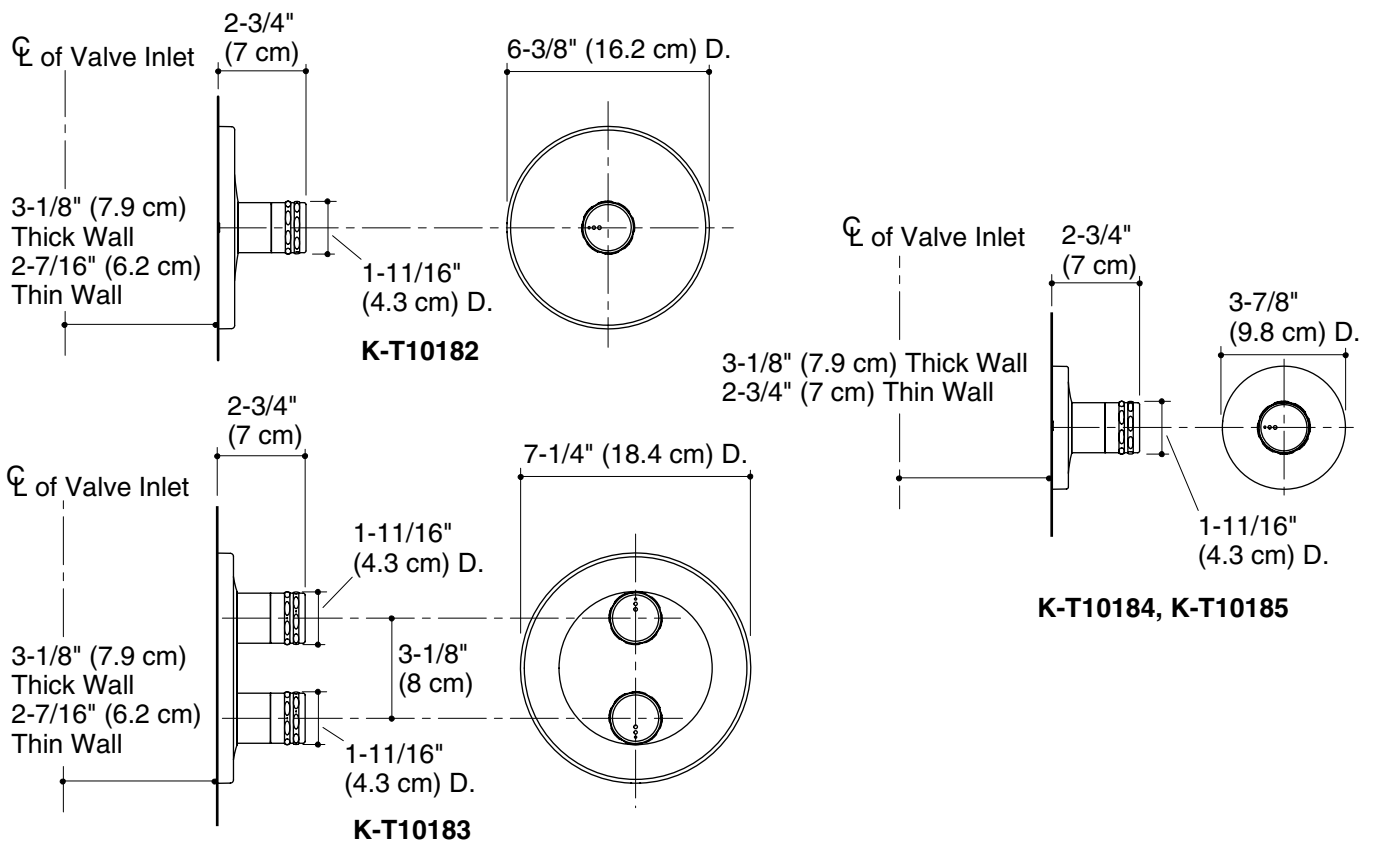
Product Specification

The thermostatic faucet trim shall be made of brass construction. Trim shall include front seal plate assembly and handle assembly. Faucet trim shall be Kohler Model K-T_____-_____-_____ and thermostatic valving shall be K-_____-_____-NA.

MASTERSHOWER®

Installation Notes

Install this product according to the installation guide.



Product Diagram