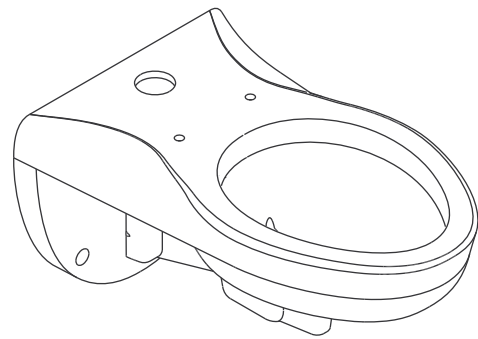


### Features

- Vitreous china
- Elongated bowl
- Siphon jet
- Wall-mount
- With bedpan lugs (-L)
- 1-1/2" top spud
- 1.28 gpf (4.8 lpf)
- 10-1/2" (267 mm) x 9" (229 mm) water area
- 26-1/2" (673 mm) x 16-1/2" (419 mm) x 13-1/4" (337 mm)

## BOWL K-4325

ADA	TAS
CSA B651	OBC



### Codes/Standards Applicable

Specified model meets or exceeds the following:

- ADA
- ICC/ANSI A117.1
- TAS
- CSA B651
- OBC
- ASME A112.19.2/CSA B45.1
- Energy Policy Act of 2005

### Colors/Finishes

- 0: White
- CP: Polished Chrome
- Other: Refer to Price Book for additional colors/finishes

### Specified Model

Model	Description	Colors/Finishes	
K-4325	Bowl – elongated	<input type="checkbox"/> 0	<input type="checkbox"/> Other _____
K-4325-L	Bowl – elongated, with bedpan lugs	<input type="checkbox"/> 0	<input type="checkbox"/> Other _____

Recommended Accessories				
K-4731-C	Stronghold® open-front elongated seat	<input type="checkbox"/> 0	<input type="checkbox"/> Other _____	
K-4731-SC	Stronghold open-front elongated seat with integrated handle	<input type="checkbox"/> 0	<input type="checkbox"/> Other _____	
K-4731-GC	Stronghold Quiet-Close™ open-front elongated seat	<input type="checkbox"/> 0	<input type="checkbox"/> Other _____	
K-10673	WAVE exposed toilet flushometer – 1.28 gpf (4.8 lpf)			<input type="checkbox"/> CP
K-10956	Touchless DC toilet flushometer – 1.28 gpf (4.8 lpf)			<input type="checkbox"/> CP
K-13517	Manual toilet flushometer – 1.28 gpf (4.8 lpf)			<input type="checkbox"/> CP

### Product Specification

The elongated bowl shall be made of vitreous china. Bowl shall be 26-1/2" (673 mm) in length, 16-1/2" (419 mm) in width, and 13-1/4" (337 mm) in height. The bowl shall be wall-mount with a 1-1/2" top spud. Bowl shall have siphon jet. Bowl shall have bedpan lugs (-L). Bowl shall be 1.28 gpf (4.8 lpf). Bowl shall have 10-1/2" (267 mm) x 9" (229 mm) water area. Bowl shall be Kohler Model K-4325-\_\_\_\_\_.

## Technical Information

Fixture:	
Configuration	top spud, elongated
Water per flush	1.28 gal (4.85 L)*
Spud size	1-1/2"
Passageway	2-1/8" (54 mm)
Water area	10-1/2" (267 mm) x 9" (229 mm)
Water depth from rim	5-1/4" (133 mm)
Seat post hole centers	5-1/2" (140 mm)
Minimum static pressure required	35 psi (241.3 kPa)
Maximum static pressure	80 psi (551.6 kPa)
Minimum flowing pressure required	25 psi (172.4 kPa)
Required supply minimum	25 gpm (94.6 lpm)
* Designed to flush with 1.28 gal (4.8 L) of water when installed with a 1.28 gal (4.8 L) flushometer.	

Included components:

Spud	18357
------	-------

Flushometer requirements: Refer to manufacturer and local codes.

## Installation Notes

Install this product according to the installation guide.

Will comply with the American Disabilities Act (**ADA**) when installed per the requirements of the Accessibility Guidelines, Section 604 Water Closets, of the Act. The Model Plumbing Codes require the installation of elongated open-front toilet seats in public bathrooms.

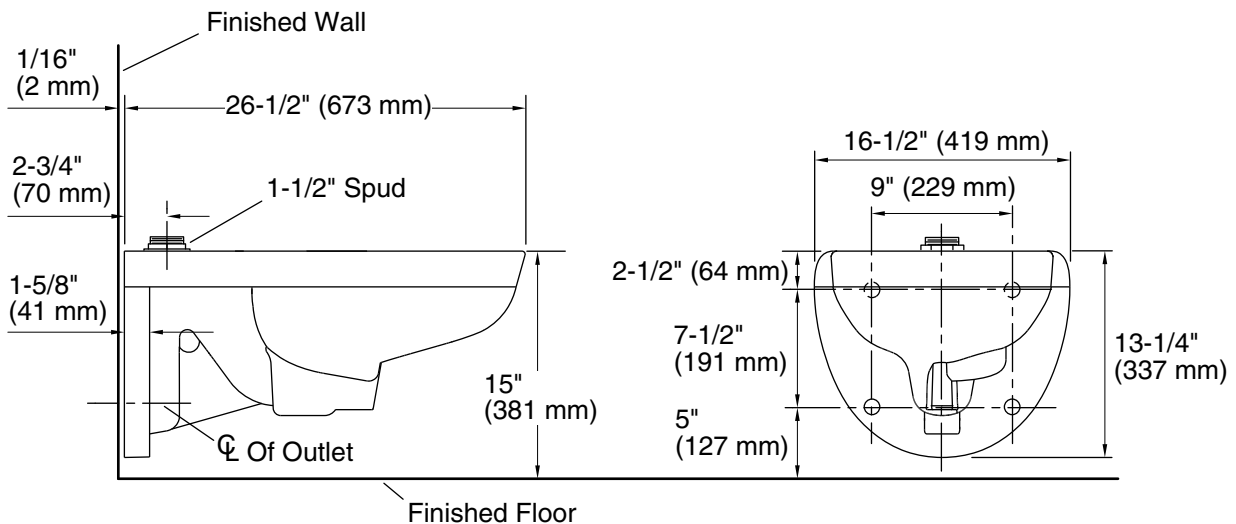
For **TAS** compliance the required seating height with the toilet seat installed is:

Adults – 17" (432 mm) to 19" (483 mm)

Children (Elementary Grade Levels 6 through 8 or 9) – 15" (381 mm) to 17" (432 mm)

Will comply with **CSA B651** when installed per Clause 4.3.6 of the standard.

Will comply with **OBC** Barrier Free requirements when installed per Clause 3.8.3.8 and 3.8.3.9.



## Product Diagram