

Features

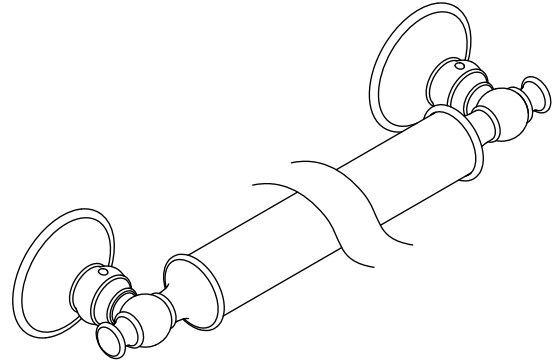
- Metal construction
- Includes installation hardware

GRAB BAR K-11870

Codes/Standards Applicable

Specified model meets or exceeds the following:

- ASTM F446



Colors/Finishes

- S: Polished Stainless Steel
- Other: Refer to Price Book for additional colors/finishes

Specified Model

Model	Description	Colors/Finishes	
K-11870	9" (229 mm) grab bar	<input type="checkbox"/> S	<input type="checkbox"/> Other_____
K-11871	12" (305 mm) grab bar	<input type="checkbox"/> S	<input type="checkbox"/> Other_____
K-11872	18" (457 mm) grab bar	<input type="checkbox"/> S	<input type="checkbox"/> Other_____
K-11873	24" (610 mm) grab bar	<input type="checkbox"/> S	<input type="checkbox"/> Other_____
K-11874	32" (813 mm) grab bar	<input type="checkbox"/> S	<input type="checkbox"/> Other_____
K-11875	36" (914 mm) grab bar	<input type="checkbox"/> S	<input type="checkbox"/> Other_____
K-11876	42" (1067 mm) grab bar	<input type="checkbox"/> S	<input type="checkbox"/> Other_____
K-11877	48" (1219 mm) grab bar	<input type="checkbox"/> S	<input type="checkbox"/> Other_____

Product Specification

The grab bar shall be of metal construction. Product shall include installation hardware. Product shall be Kohler Model K-____-____.

TRADITIONAL

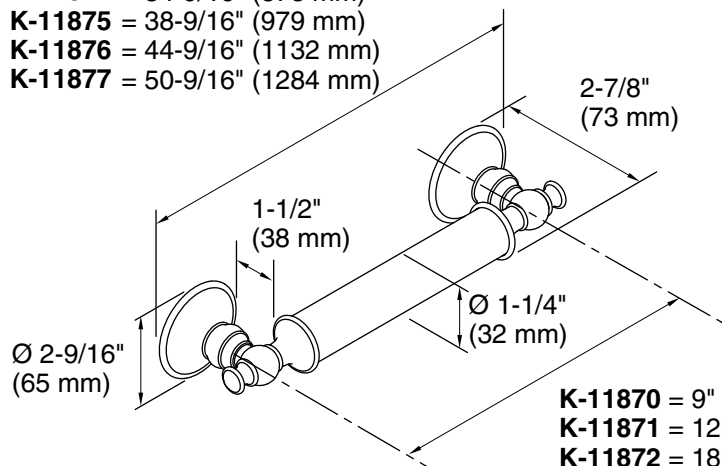
Installation Notes



WARNING: Risk of personal injury. The wall plates on the grab bar must be mounted to a brace between the wall studs. This will ensure that the weight of the user is adequately supported.

Install this product according to the installation guide.

K-11870 = 11-9/16" (294 mm)
K-11871 = 14-9/16" (370 mm)
K-11872 = 20-9/16" (522 mm)
K-11873 = 26-9/16" (675 mm)
K-11874 = 34-9/16" (878 mm)
K-11875 = 38-9/16" (979 mm)
K-11876 = 44-9/16" (1132 mm)
K-11877 = 50-9/16" (1284 mm)



K-11870 = 9" (229 mm)
K-11871 = 12" (305 mm)
K-11872 = 18" (457 mm)
K-11873 = 24" (610 mm)
K-11874 = 32" (813 mm)
K-11875 = 36" (914 mm)
K-11876 = 42" (1067 mm)
K-11877 = 48" (1219 mm)

Product Diagram