

OVAL LAVATORY K-2602

ADA

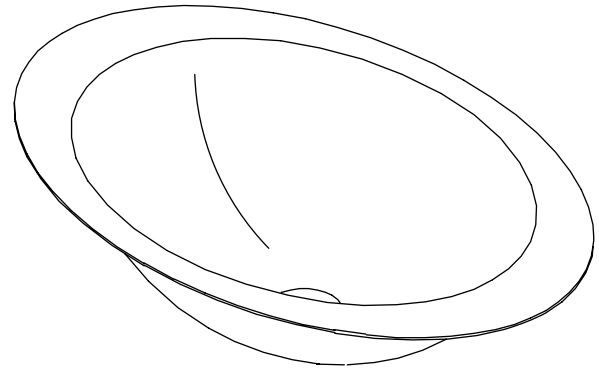
Features

- Undercounter
- 20-gauge stainless steel
- Chrome plated brass tube and gasket included to cover the overflow hole in the drain assembly
- Includes installation hardware
- Without overflow
- 18" (45.7 cm) x 13" (33 cm)

Codes/Standards Applicable

Specified model meets or exceeds the following:

- ASME A112.19.3/CSA B45.4
- ICC/ANSI A117.1
- ADA



Colors/Finishes

- MF: Mirror French Gold
- SBV: Satin Bronze
- NA: None applicable

Accessories

- CP: Polished Chrome
- Other: Refer to Price Book for additional colors/finishes

Specified Model

Model	Description	Colors/Finishes		
		<input type="checkbox"/> MF	<input type="checkbox"/> SBV	<input type="checkbox"/> NA
K-2602	Oval lavatory	<input type="checkbox"/>	<input type="checkbox"/>	<input type="checkbox"/>
K-2602-SU	Oval lavatory – Luster finish			<input type="checkbox"/>
K-2602-MU	Oval lavatory – Mirror finish			<input type="checkbox"/>

Recommended Accessories				
K-7114	Pop-up lavatory drain	<input type="checkbox"/> CP	<input type="checkbox"/> Other _____	
K-7127	Lavatory drain with non-removable metal stopper	<input type="checkbox"/> CP	<input type="checkbox"/> Other _____	
K-7129	Grid drain	<input type="checkbox"/> CP	<input type="checkbox"/> Other _____	
K-8998	P-trap	<input type="checkbox"/> CP	<input type="checkbox"/> Other _____	

Product Specification

The oval lavatory shall be made of 20 gauge stainless steel. Lavatory shall be 18" (45.7 cm) in length, and 13" (33 cm) in width. Lavatory shall be undercounter installation. Lavatory shall include hardware installation and without overflow. Lavatory shall have a chrome plated brass tube and drain gasket included to cover the overflow hole in the faucet drain assembly. Lavatory shall be Kohler Model K-2602-_____-_____.

RHYTHM®

Technical Information

Fixture:*	
Lavatory	
Basin area	18" (45.7 cm) x 13" (33 cm)
Water depth	5-7/8" (14.9 cm)
Drain hole	1-5/8" (4.1 cm) D.
* Approximate measurements for comparison only.	

Included components:	
Basin clamp assembly	68922
Drain gasket	33507
Tube	1011037-CP
Cut-out template	1000258-7

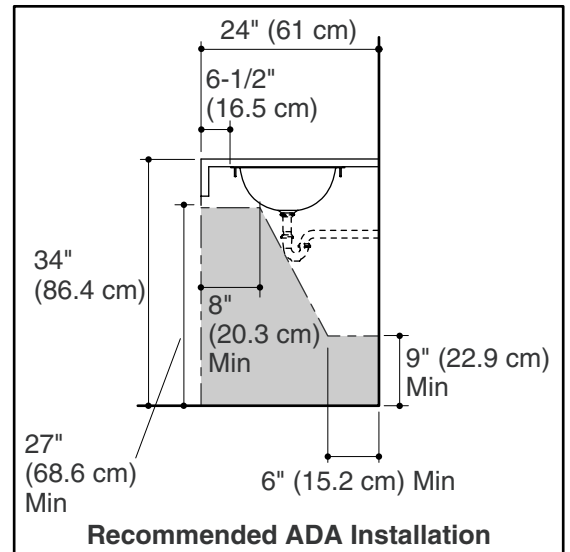
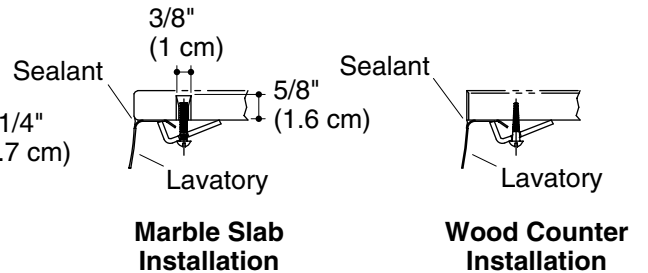
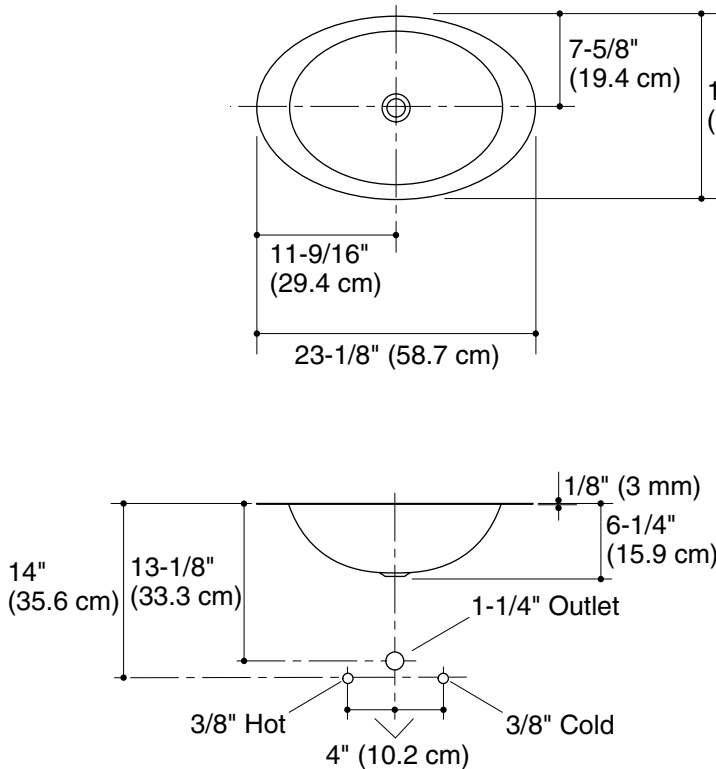
Installation Notes

Install this product according to the installation guide.

Supplied basin clamp assembly requires 3/4" (1.9 cm) minimum countertop thickness. Installer must supply anchors for thinner countertops.

NOTICE: Countertop manufacturer or cutter must use the cut-out template provided by Kohler Co. (call 1-800-43-FOCUS). Kohler Co. is not responsible for cut out errors when the incorrect cut-out template is used.

Waterproof the unprotected overhang area of the underside of the wood counter.



Product Diagram