

Features

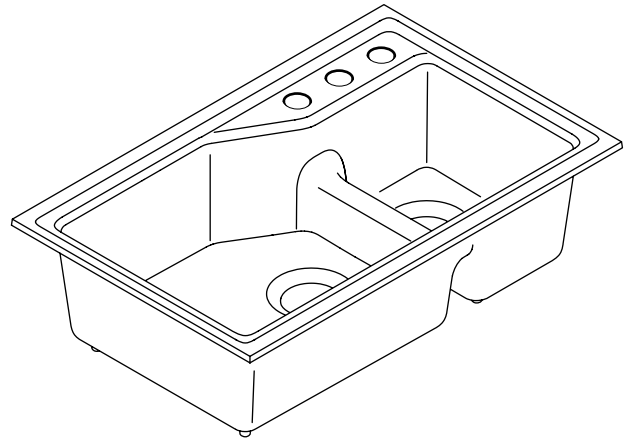
- KOHLER cast iron
- Acid-resistant enamel finish
- Undercounter
- Available with 1, 2, 3 or 2 Karbon™ faucet hole
- Smart Divide® lowered divider
- Double (small/large) compartment
- Includes basin racks, cutting board, and colander
- Undermount sink kit 23" (58.4 cm) included
- 33" (83.8 cm) x 21-1/8" (53.7 cm)

Codes/Standards Applicable

Specified model meets or exceeds the following:

- ASME A112.19.1/CSA B45.2

UNDERCOUNTER KITCHEN SINK K-6411



Colors/Finishes

- 0: White
- Other: Refer to Price Book for additional colors/finishes

Accessories

- CP: Polished Chrome
- NA: None applicable
- ST: Stainless Steel
- Other: Refer to Price Book for additional colors/finishes

Specified Model

Model	Description	Colors/Finishes	
K-6411-1	Undercounter kitchen sink, single-hole	<input type="checkbox"/> 0	<input type="checkbox"/> Other _____
K-6411-2	Undercounter kitchen sink, 2-hole	<input type="checkbox"/> 0	<input type="checkbox"/> Other _____
K-6411-3	Undercounter kitchen sink, 3-hole	<input type="checkbox"/> 0	<input type="checkbox"/> Other _____
K-6411-2K	Undercounter kitchen sink, 2-hole for Karbon™ faucet	<input type="checkbox"/> 0	<input type="checkbox"/> Other _____

Included Accessories			
K-6163	Basin rack, right	<input type="checkbox"/> ST	
K-6164	Basin rack, left	<input type="checkbox"/> ST	
K-6165	Cutting board		<input type="checkbox"/> NA
K-6166	Colander	<input type="checkbox"/> ST	

Product Specification

The undercounter kitchen sink shall be 33" (83.8 cm) in length and 21-1/8" (53.7 cm) in width. Sink shall be made of cast iron with acid-resistant enamel finish. Sink shall be double (small/large) compartment. Sink shall have Smart Divide® lowered divider. Sink shall be single hole (-1), 2-hole (-2), 3-hole (-3) or 2-hole for Karbon™ faucet (-2K). Sink shall include 23" (58.4) undermount sink kit. Sink shall include bottom basin racks, cutting board, and colander. Sink shall be Kohler Model K-6411-____-____.

INDIO™

Optional Accessories

K-5807	Undermount sink kit 36" (91.4 cm)	<input type="checkbox"/>	NA
K-8801	Duostrainer® sink strainer	<input type="checkbox"/>	CP
		<input type="checkbox"/>	Other_____

Technical Information

Fixture*:	
Basin area	16-3/4" (42.5 cm) x 26" (66 cm)
Water depth	9" (22.9 cm)
Drain hole	3-7/8" (9.8 cm) D.
* Approximate measurements for comparison only.	

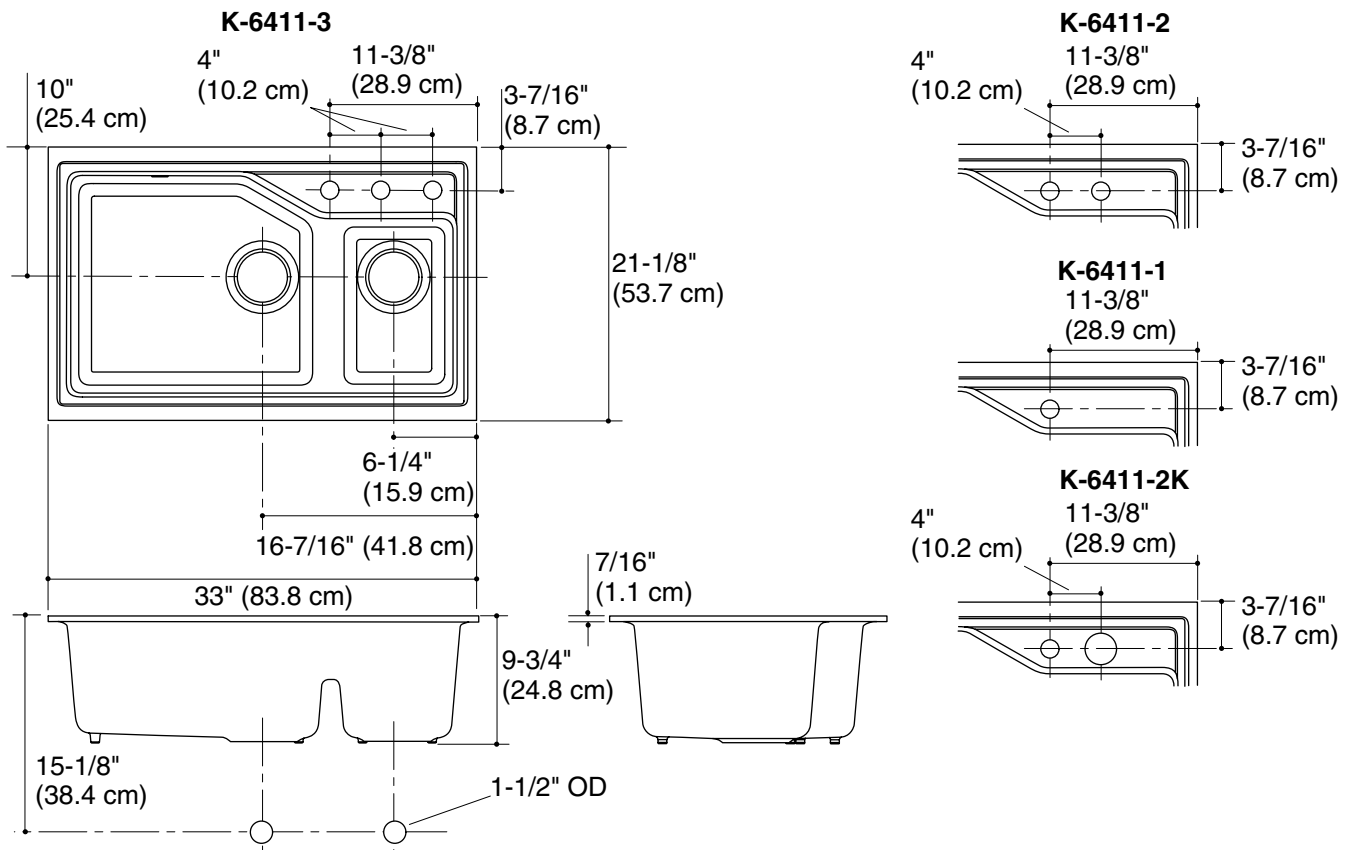
Holes	K-6411-1	K-6411-2	K-6411-3	K-6411-2K
Faucet	1-3/8" (3.5cm) D.	1-3/8" (3.5cm) D.	1-3/8" (3.5cm) D.	1-3/8" (3.5 cm) D. 2-1/8" (5.4 cm) D.

Included components:	
Cut-out template	1106715-7
Undermount sink kit 23" (58.4 cm)	1054375

Installation Notes

Install this product according to the installation guide.

NOTICE: The countertop manufacturer or cutter **must** use the cut-out template provided with the product, or a current one provided by the Kohler Co. (Call 1-800-4-KOHLER.) Kohler Co. is not responsible for cut-out errors when the incorrect cut-out template is used.



Product Diagram