

### Features

- Vitreous china
- Undercounter
- Includes 52047 clamp assembly
- Without overflow
- Available with KOHLER Artist Editions designs
- 17" (43.2 cm) x 13" (33 cm)

### UNDERCOUNTER ENTERTAINMENT SINK

# K-2330-N

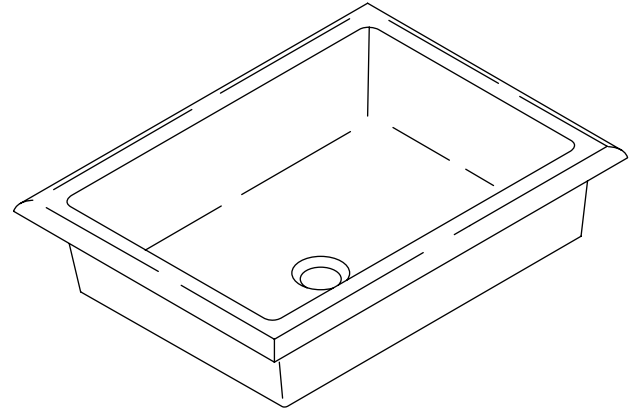
ALSO K-14265, K-14275

ADA

### Codes/Standards Applicable

Specified model meets or exceeds the following:

- ADA
- ASME A112.19.2/CSA B45.1
- ICC/ANSI A117.1



### Colors/Finishes

- 0: White
- Other: Refer to Price Book for additional colors/finishes

### Accessories:

- CP: Polished Chrome
- Other: Refer to Price Book for additional colors/finishes

### Specified Model

Model	Description	Colors/Finishes	
K-2330-N	Undercounter entertainment sink less glazed underside	<input type="checkbox"/> 0	<input type="checkbox"/> Other _____
K-14265	Undercounter sink with glazed underside – Artist Editions		<input type="checkbox"/> Other _____
K-14275	Undercounter sink less glazed underside – Artist Editions		<input type="checkbox"/> Other _____
Recommended Accessories			
K-7715	Grid drain	<input type="checkbox"/> CP	<input type="checkbox"/> Other _____

### Product Specification

The undercounter entertainment sink shall be 17" (43.2 cm) in length and 13" (33 cm) in width. Sink shall be made of vitreous china. Sink shall be without overflow. Sink shall include 52047 clamp assembly. Sink will be available with KOHLER Artist Editions designs. Sink shall be Kohler Model K-\_\_\_\_\_.

# KATHRYN®

## Technical Information

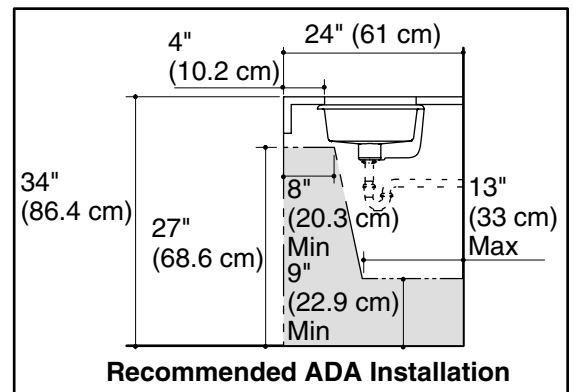
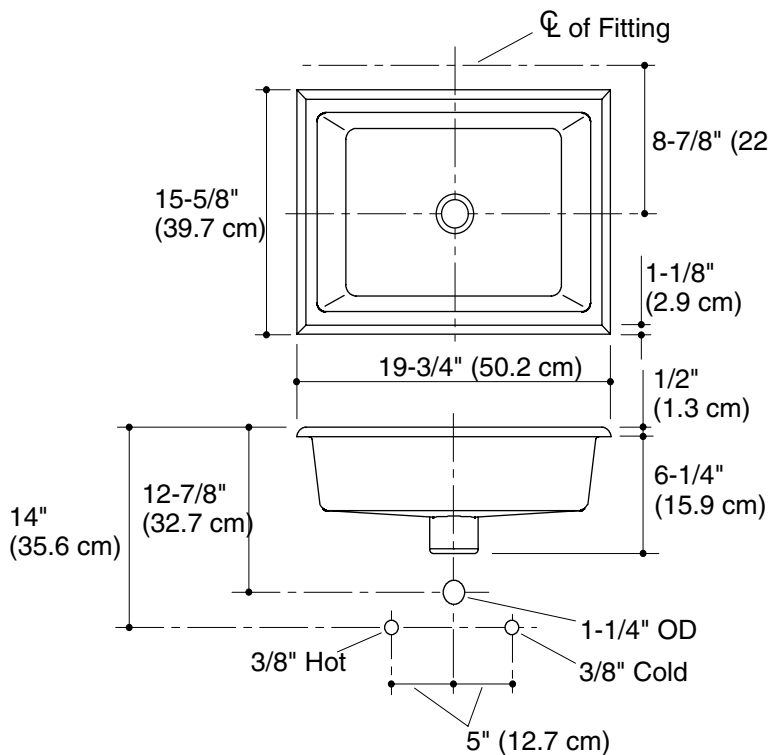
Fixture*:	
Basin area	17" (43.2 cm) x 13" (33 cm)
Water depth	4-1/2" (11.4 cm)
Drain hole	1-3/4" (4.4 cm) D.
* Approximate measurements for comparison only.	

Included components:	
Basin clamp assembly	52047
Cut-out template	1006809-7

## Installation Notes

Install this product according to the installation guide.

**NOTICE:** Countertop manufacturer or cutter **must** use the cut-out template provided with the product, or a current one provided by Kohler Co. (Call 1-800-4-KOHLER.) Kohler Co. is not responsible for cutout errors when the incorrect cut-out template is used.



## Product Diagram