

UNDERCOUNTER LAVATORY K-2881

ADA

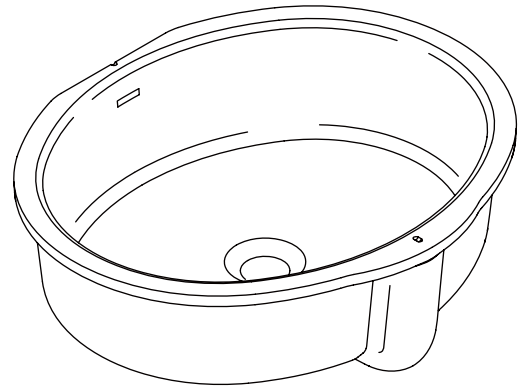
Features

- Vitreous china
- Undercounter
- With overflow
- Without faucet hole(s)
- Includes 52047 clamp assembly
- 17" (432 mm) x 14" (356 mm)

Codes/Standards Applicable

Specified model meets or exceeds the following:

- ADA
- ASME A112.19.2/CSA B45.1
- ICC/ANSI A117.1



Colors/Finishes

- 0: White
- Other: Refer to Price Book for additional colors/finishes

Accessories

- CP: Polished Chrome
- Other: Refer to Price Book for additional colors/finishes

Specified Model

Model	Description	Colors/Finishes	
K-2881	Undercounter lavatory	<input type="checkbox"/> 0	<input type="checkbox"/> Other_____
Recommended Accessories			
K-8998	Adjustable P-Trap	<input type="checkbox"/> CP	<input type="checkbox"/> Other_____

Product Specification

The undercounter lavatory shall be made of vitreous china. Lavatory shall be 17" (432 mm) in length and 14" (356 mm) in width. Lavatory shall be with overflow and without faucet hole(s). Lavatory shall include 52047 clamp assembly. Lavatory shall be Kohler Model K-2881-_____.

VERTICYL™

Technical Information

Fixture*:	
Basin area	17" (432 mm) x 14" (356 mm)
Water depth	3-1/8" (79 mm)
Drain hole	1-3/4" (44 mm) D.
* Approximate measurements for comparison only.	

Included components:	
Basin clamp assembly	52047
Cut-out template	1151011-7

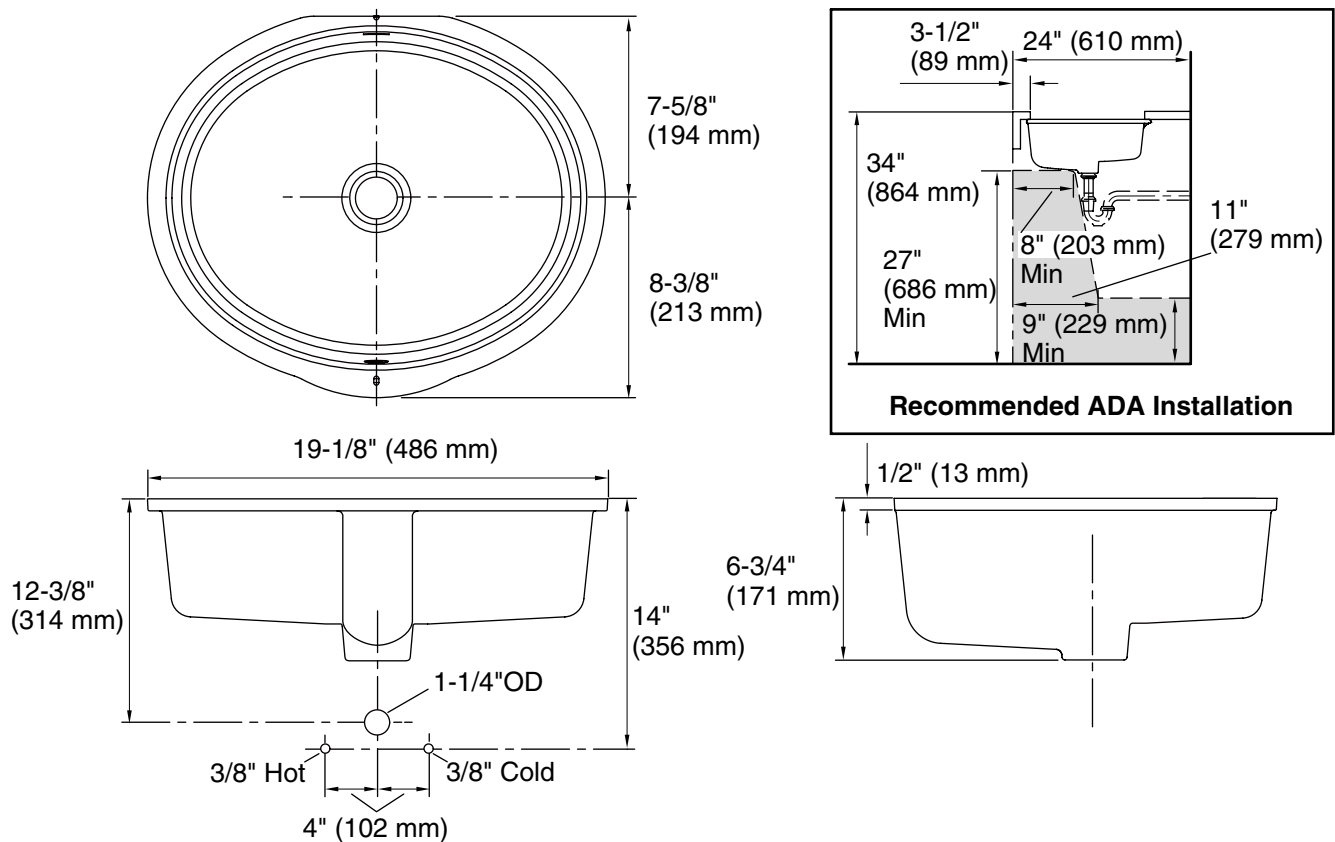
Installation Notes

Install this product according to the installation guide.

Supplied basin clamp assemblies require 1" (25 mm) minimum countertop thickness. Installer must supply anchors for thinner countertops.

NOTICE: Countertop manufacturer or cutter must use the cut-out template provided with the product, or a current one provided by Kohler (call 1-800-4-KOHLER). Kohler is not responsible for cut-out errors when incorrect cut-out template is used.

Will comply with **ADA** when installed per section 606 Lavatories of the Act.



Product Diagram