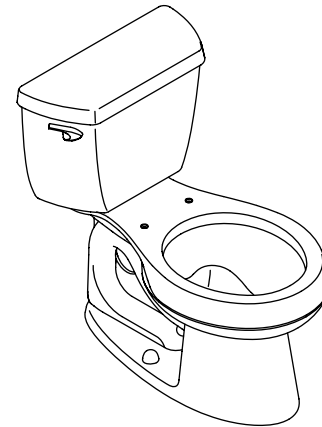




#### Features

- Vitreous china
- Round-front
- Class Five® flushing system
- Polished chrome trip lever
- Less supply
- 12" (305 mm) rough-in
- 1.28 gpf (4.8 lpf)
- 2-1/8" (54 mm) glazed trapway
- 10-1/2" (267 mm) x 7-3/4" (197 mm) water area
- 27-1/2" (699 mm) x 19-5/8" (498 mm) x 28-1/4" (718 mm)



#### Codes/Standards Applicable

Specified model meets or exceeds the following:

- ASME A112.19.2/CSA B45.1
- EPA WaterSense®

#### Colors/Finishes

- 0: White
- Other: Refer to Price Book for additional colors/finishes

#### Accessories

- CP: Polished Chrome
- PB: Vibrant® Polished Brass
- Other: Refer to Price Book for additional colors/finishes

#### Specified Model

Model	Description	Trip Lever	Colors/Finishes	
K-3577	Class Five® toilet	left-hand	<input type="checkbox"/> 0	<input type="checkbox"/> Other_____
K-3577-RA	Class Five® toilet	right-hand	<input type="checkbox"/> 0	<input type="checkbox"/> Other_____
K-3577-RZ	Class Five® toilet with Insuliner®, and cover locks	right-hand	<input type="checkbox"/> 0	<input type="checkbox"/> Other_____
K-3577-T	Class Five® toilet with cover locks	left-hand	<input type="checkbox"/> 0	<input type="checkbox"/> Other_____
K-3577-TR	Class Five® toilet with cover locks	right-hand	<input type="checkbox"/> 0	<input type="checkbox"/> Other_____
K-3577-U	Class Five® toilet with Insuliner®	left-hand	<input type="checkbox"/> 0	<input type="checkbox"/> Other_____
K-3577-UR	Class Five® toilet with Insuliner®	right-hand	<input type="checkbox"/> 0	<input type="checkbox"/> Other_____
K-3577-UT	Class Five® toilet with Insuliner®, and cover locks	left-hand	<input type="checkbox"/> 0	<input type="checkbox"/> Other_____

#### Product Specification

The toilet with round-front bowl shall be made of vitreous china. Toilet shall be 27-1/2" (699 mm) in length, 19-5/8" (498 mm) in width, and 28-1/4" (718 mm) in height with a 10-1/2" (267 mm) x 7-3/4" (197 mm) water area. Toilet shall be 1.28 gpf (4.8 lpf) with Class Five® flushing system. Toilet shall have 2-1/8" (54 mm) glazed trapway. Toilet shall include polished chrome trip lever. Toilet shall be 12" (305 mm) rough-in and less supply. Toilet shall be Kohler Model K-3577-\_\_\_\_\_.

# WELLWORTH®

## Recommended Accessories

K-4658	Brevia™ seat with cover	<input type="checkbox"/> 0			<input type="checkbox"/> Other_____
K-4689	Cachet® seat with cover	<input type="checkbox"/> 0			<input type="checkbox"/> Other_____
K-7637	Angle supply with stop – 3/8" NPT		<input type="checkbox"/> CP	<input type="checkbox"/> PB	<input type="checkbox"/> Other_____

## Technical Information

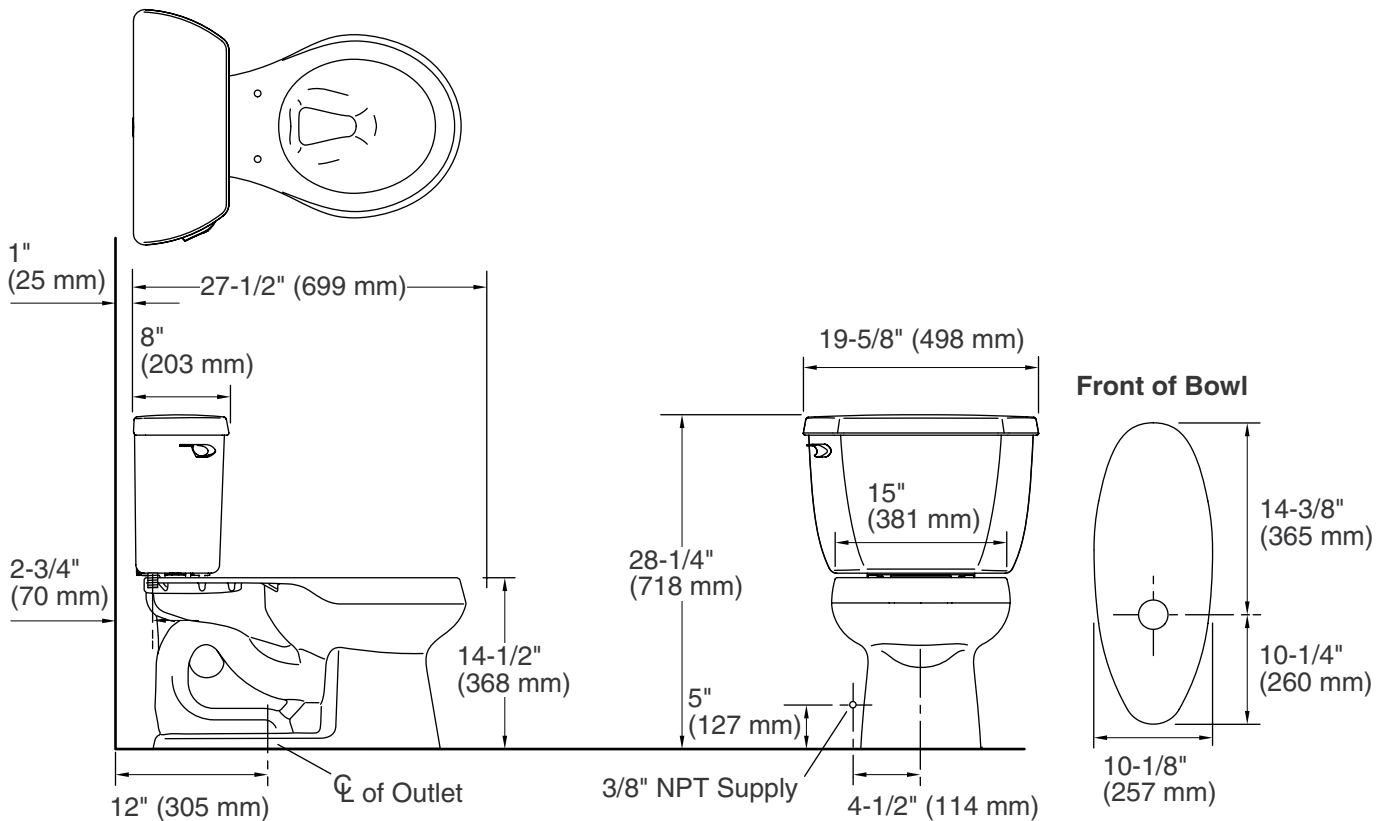
Fixture:	
Configuration	two-piece, round
Water per flush	1.28 gpf (4.8 lpf)
Passageway	2-1/8" (54 mm)
Water area	10-1/2" (267 mm) x 7-3/4" (197 mm)
Water depth from rim	5-1/4" (133 mm)
Seat post hole centers	5-1/2" (140 mm)

### Included components:

Bowl	K-4197
Tank	K-4436
Tank cover	84591
Trip lever	K-9380
Tank attachment kit	1016548
Bolt cap accessory pack	1013092

## Installation Notes

Install this product according to the installation guide.



## Product Diagram