

KITCHEN SINK K-5818

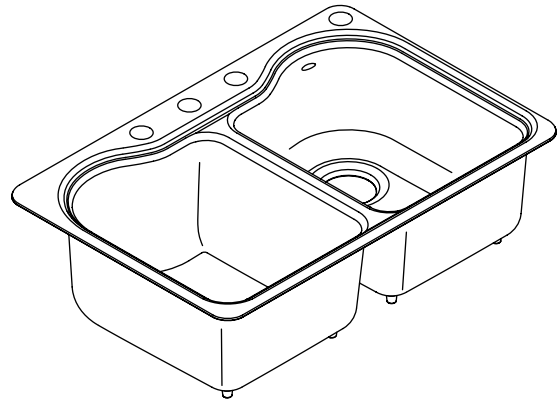
Features

- KOHLER cast iron
- Acid-resistant enamel finish
- Double (equal) compartment
- Self-rimming or undercounter
- Available with single-hole (-1), 2-hole (-2), 3-hole (-3), 4-hole (-4), or 5-hole (-5)
- 33" (838 mm) x 22" (559 mm)

Codes/Standards Applicable

Specified model meets or exceeds the following:

- ASME A112.19.1/CSA B45.2



Colors/Finishes

- 0: White
- Other: Refer to Price Book for additional colors/finishes

Accessories

- 0: White
- CP: Polished Chrome
- NA: None applicable
- Other: Refer to Price Book for additional colors/finishes

Specified Model

Model	Description	Colors/Finishes	
K-5818-1	Self-rimming kitchen sink, single-hole	<input type="checkbox"/> 0	<input type="checkbox"/> Other_____
K-5818-2	Self-rimming kitchen sink, 2-hole	<input type="checkbox"/> 0	<input type="checkbox"/> Other_____
K-5818-3	Self-rimming kitchen sink, 3-hole	<input type="checkbox"/> 0	<input type="checkbox"/> Other_____
K-5818-4	Self-rimming kitchen sink, 4-hole	<input type="checkbox"/> 0	<input type="checkbox"/> Other_____
K-5818-5U	Undercounter kitchen sink, 5-hole	<input type="checkbox"/> 0	<input type="checkbox"/> Other_____

Optional Accessories

K-5917	Hardwood countertop cutting board		<input type="checkbox"/> NA	
K-6016L	Bottom basin rack (left basin)	<input type="checkbox"/> 0		<input type="checkbox"/> Other_____
K-6016R	Bottom basin rack (right basin)	<input type="checkbox"/> 0		<input type="checkbox"/> Other_____

Product Specification

The self-rimming or undercounter kitchen sink shall be made of cast iron with acid resistant enamel finish. Sink shall be 33" (838 mm) in length and 22" (559 mm) in width. Sink shall have double (equal) compartment. Self-rimming sink shall be single-hole (-1), 2-hole (-2), 3-hole (-3), 4-hole (-4) and undercounter sink shall be 5-hole (-5U). Sink shall be Kohler Model K-5818-____-_____.

HARTLAND™

Optional Accessories

K-6603L	Wire rinse basket (left basin)	<input type="checkbox"/> 0		<input type="checkbox"/> Other _____
K-6603R	Wire rinse basket (right basin)	<input type="checkbox"/> 0		<input type="checkbox"/> Other _____
K-9000	P-Trap		<input type="checkbox"/> CP	

Technical Information

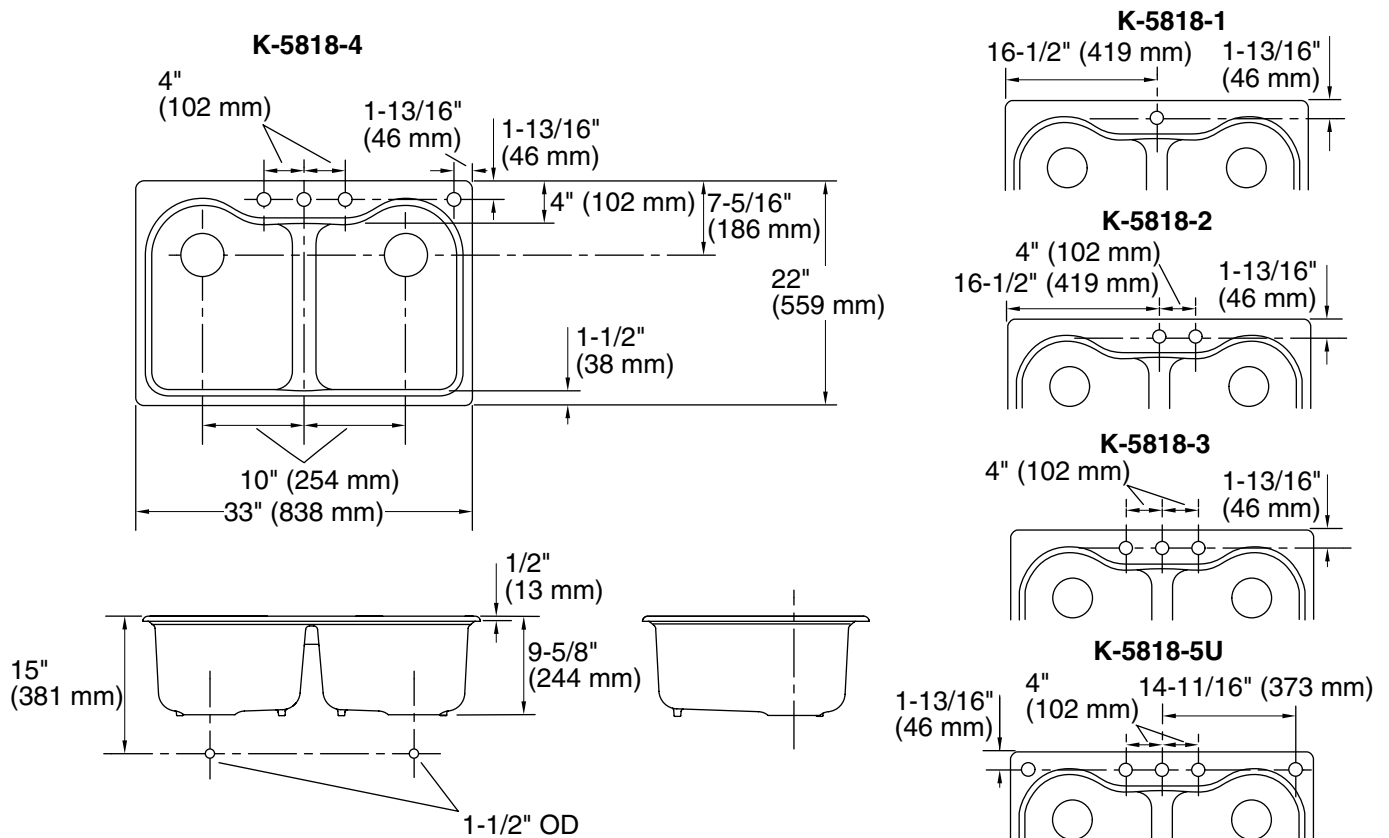
Fixture*:	
Basin area	14-1/8" (359 mm) x 16-1/4" (413 mm)
Water depth	9" (229 mm)
Drain holes	Ø 3-7/8" (98 mm)
Faucet holes	Self-rimming: Ø 1-3/8" (35 mm) Undercounter: Ø 2-3/8" (60 mm)
* Approximate measurements for comparison only.	

Included components:	
Cut-out template	1125670-7
Undermount sink kit 23" (584 mm)	1054375

Installation Notes

Install this product according to the installation guide.

NOTICE: The countertop manufacturer or cutter **must** use the cut-out template provided with the product, or a current one provided by the Kohler Co. (Call 1-800-4-KOHLER.) Kohler Co. is not responsible for cut-out errors when the incorrect cut-out template is used.



Product Diagram