

KOHLER®

Hartland® Top-mount Kitchen Sink K-R5818-4

Features

- KOHLER® cast iron.
- Top-mount.
- Two equal rectangular basins.
- Acid-resistant enamel finish.
- 4 faucet holes.
- 33" (838 mm) x 22" (559 mm)

Optional Accessories

K-5917 Countertop Cutting Board
K-6016L Sink Rack
K-6016R Sink Rack
K-6603L Sink Basket
K-6603R Sink Basket
K-9000 P-Trap

Components

Product includes:
1054375 Under-mount Sink Kit, 23"



Codes/Standards

ASME A112.19.1/CSA B45.2


KOHLER® Lifetime Limited Warranty for Cast Iron Components

See website for detailed warranty information.

Available Color/Finishes

Color tiles intended for reference only.

Color	Code	Description
-------	------	-------------

	0	White
--	---	-------

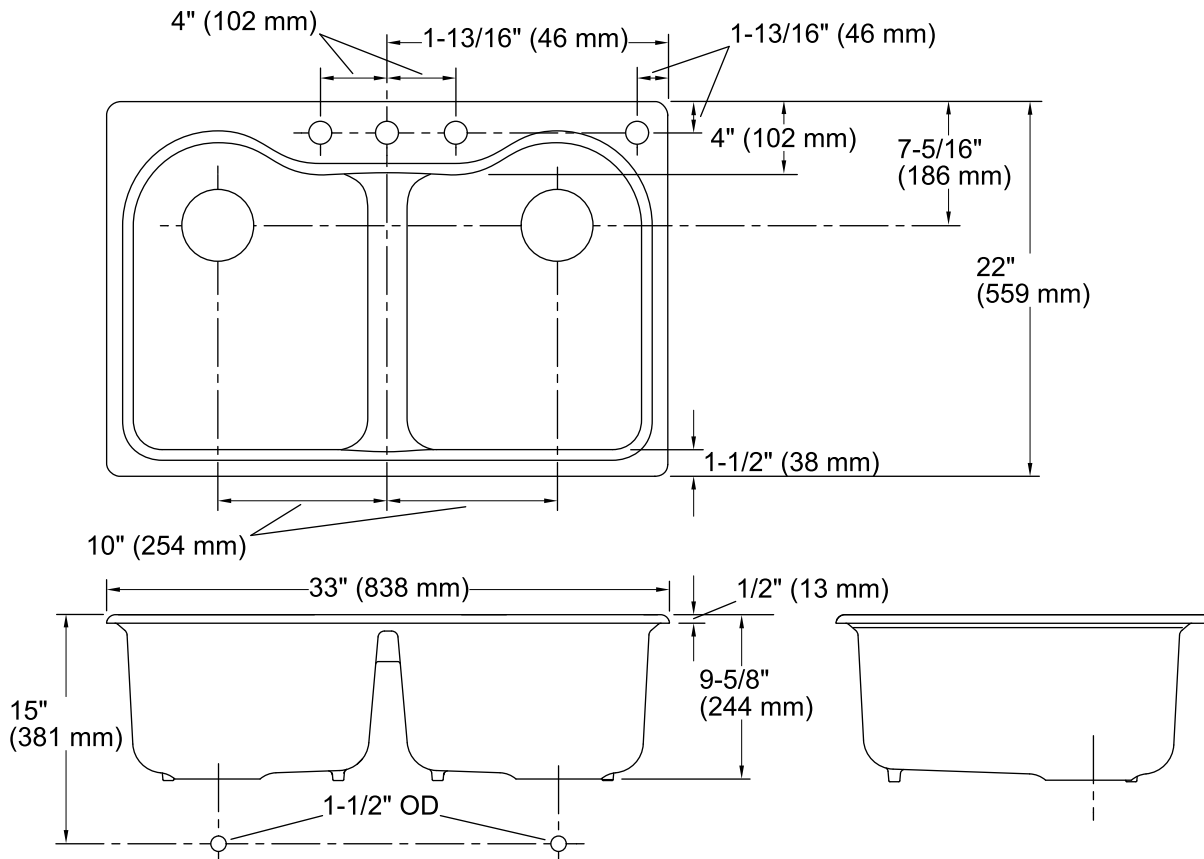
USA/Canada: 1-800-4KOHLER (1-800-456-4537)

Kohler Co. reserves the right to make revisions without notice to product specifications.

For the most current Specification Sheet, go to www.kohler.com.

8-30-2016 08:49

THE BOLD LOOK
OF **KOHLER**®



Technical Information

All product dimensions are nominal.

Bowl configuration: Double equal

Installation: Top-mount

Bowl area (Left) Length: 14-1/8" (359 mm)
 Width: 16-1/4" (413 mm)
 Water depth: 9" (229 mm)

Bowl area (Right) Length: 14-1/8" (359 mm)
 Width: 16-1/4" (413 mm)
 Water depth: 9" (229 mm)

Number of deck holes: 4

Faucet hole(s): 1-3/8" (35 mm)

Drain hole: 3-7/8" (98 mm)

Template: Top-mount/Under-mount, 1125670-7,
 required, included

Notes

Install this product according to the installation instructions.

NOTICE: The countertop manufacturer or cutter must use the cut-out template provided with the product, or a current one provided by the Kohler Co. (Call 1-800-4-KOHLER.) Kohler Co. is not responsible for cut-out errors when the incorrect cut-out template is used.