

STERLING®

A KOHLER COMPANY

Features

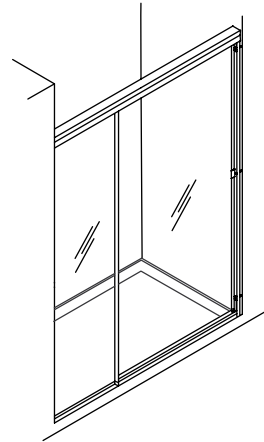
- Anodized aluminum framed glass door
- Adjustable rollers allow doors to slide effortlessly and quietly
- Easy-to-clean track directs water back into the bath and minimizes soap or lint build up
- Tempered glass ensures maximum safety and durability
- Aluminum components extruded from alloy 6063-T5
- Stainless steel hardware prevents rusting or corrosion
- Fits standard 5' (152.4 cm) bath

Codes/Standards Applicable

Specified model meets or exceeds the following:

- ANSI Z97.1 (tempered glass)
- 16 CFR Part 1201

STANDARD BY-PASS BATH DOOR 500C

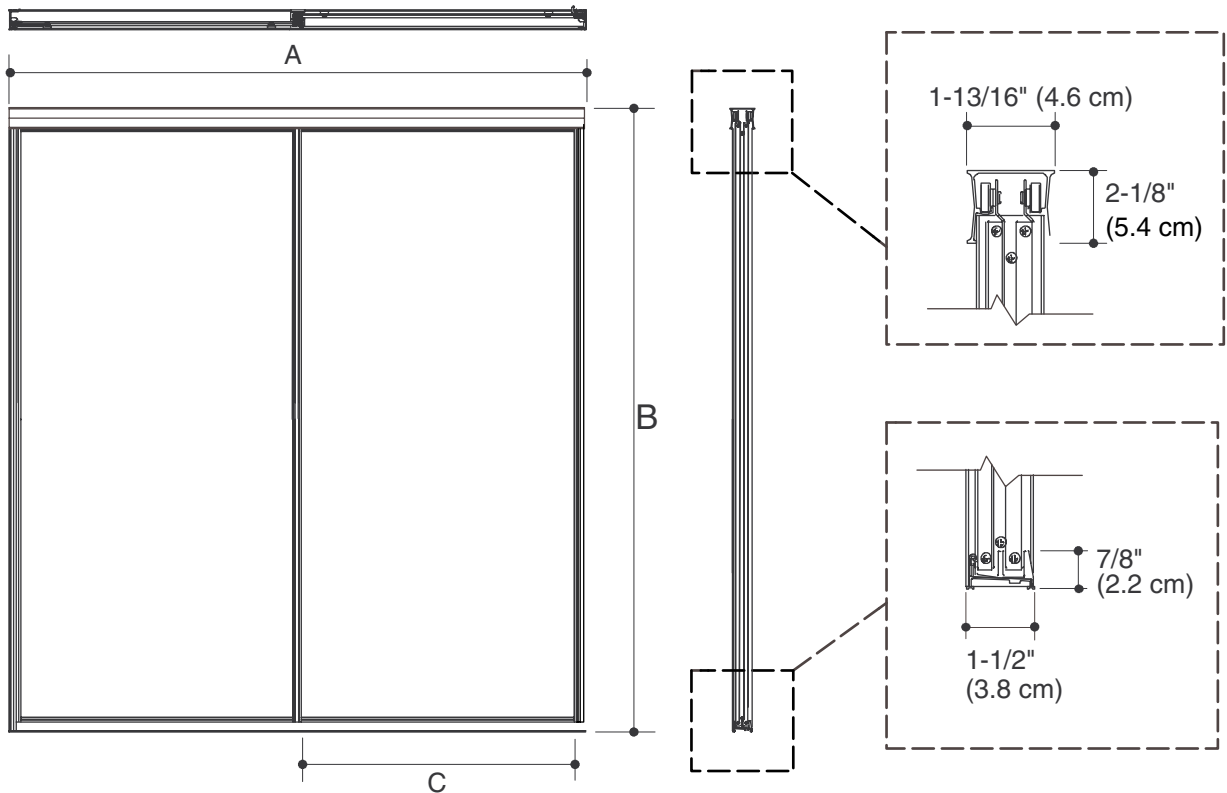


Colors/Finishes

- Refer to Price Book for current frame finish and glass options

Specified Model

Model	A (Max Width)*	B (Height)*	C (Walk Through Max)*
500C-59**	59" (149.9 cm)	56-7/16" (143.4 cm)	28-5/16" (71.9 cm)
* Note: Consult the diagram on the next page for the location of the measurements.			
** Note: Add appropriate frame color/finish code to the end of the unit model # when ordering.			



Product Diagram