

STERLING®

A KOHLER COMPANY

Features

- Anodized aluminum framed glass door
- Adjustable rollers allow doors to slide effortlessly and quietly
- Easy-to-clean track directs water back into the bath and minimizes soap or lint build up
- Tempered glass ensures maximum safety and durability
- Aluminum components extruded from alloy 6063-T5
- Stainless steel hardware prevents rusting or corrosion
- Convenient towel bar included
- Includes set of wall jamba to fit Vikrell® Advantage™ Alcove showers
- Includes set of wall jamba to fit standard non-tapered applications

Codes/Standards Applicable

Specified model meets or exceeds the following:

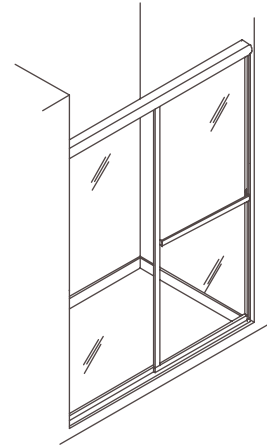
- ANSI Z97.1 (tempered glass)
- 16 CFR Part 1201

Specified Model

Model	A (Max Width)*	B (Height)*	C (Walk Through Max)*
660B/SP-46**	48" (121.9 cm)	65" (165.1 cm)	20-9/16" (52.2 cm)
660B/SP-59**	59" (149.9 cm)	65" (165.1 cm)	26-9/16" (67.5 cm)
* Note: Consult the diagram on the next page for the location of the measurements.			
** Note: Add appropriate frame color/finish code to the end of the unit model # when ordering.			
Recommended Accessories			
62030100**	Advantage 48" (121.9 cm) (OC-SS-48) Alcove Shower		
62040100**	Advantage 60" (152.4 cm) (OC-SS-60) Alcove Shower		
** Note: Refer to the fixtures price book for shower options and colors.			

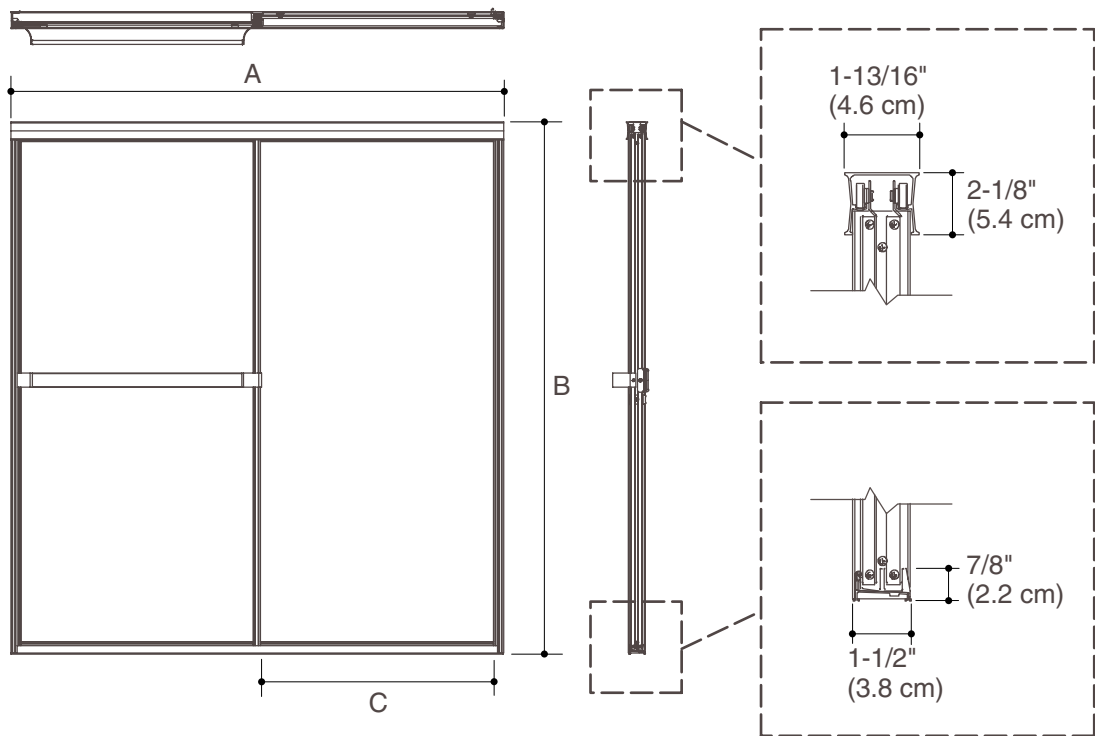
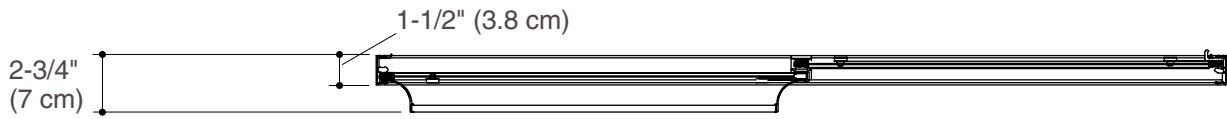
STANDARD BY-PASS SHOWER DOORS

660B/SP-46
ALSO 660B/SP-59



Colors/Finishes

- Refer to Price Book for current frame finish and glass options



Product Diagram