



**Brenham™**  
Wall-mount Bathroom Sink With Shroud  
**K-1999-4**

**Features**

- With hanger.
- With overflow.
- Drilled for concealed arm carrier.
- 4" (102 mm) centers.
- Slab type wall-mount lavatory.

**Material**

- Vitreous china.

**Installation**

- Wall-mount

**Optional Accessories**

K-8998 P-Trap



**ADA** **CSA B651** **OBC**

**Codes/Standards**





ASME A112.19.2/CSA B45.1  
ADA  
ICC/ANSI A117.1  
CSA B651  
OBC

**KOHLER® One-Year Limited Warranty**

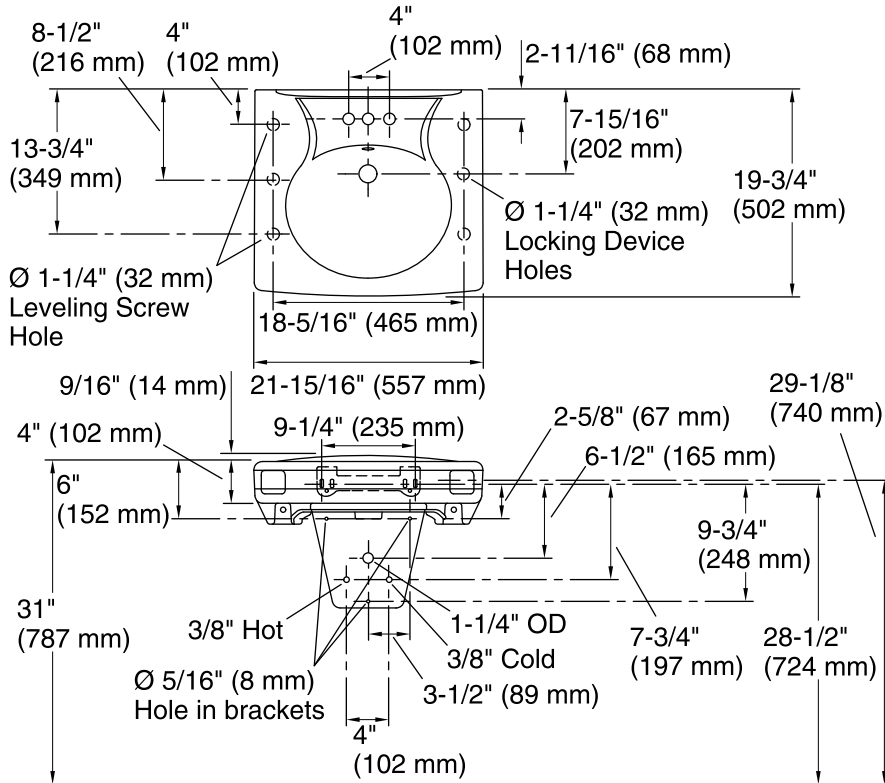
See website for detailed warranty information.

**Available Color/Finishes**

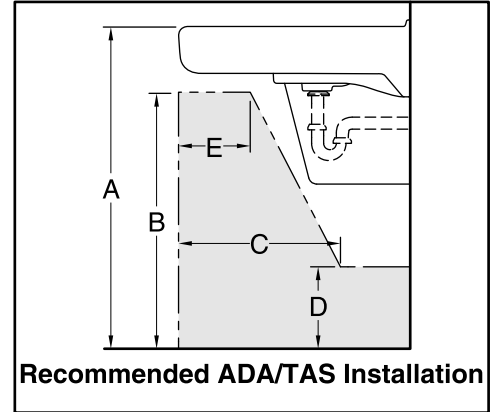
*Color tiles intended for reference only.*

Color	Code	Description
	0	White
	96	Biscuit
	47	Almond
	7	Black Black™

### Concealed Arm Hole Location



**Standard Installation**



**Recommended ADA/TAS Installation**

### Recommended ADA/TAS installation:

	ADA and TAS	Children's Environment ADA and TAS Ages 6-12 yrs
A	34" (864 mm)	31" (787 mm)
B	27" (686 mm)	24" (610 mm)
C	11" (279 mm)	11" (279 mm)
D	9" (229 mm)	9" (229 mm)
E	8" (203 mm)	8" (203 mm)

### Technical Information

All product dimensions are nominal.

Installation: Wall-mount  
 Bowl area: Length: 14-3/8" (365 mm)  
 Width: 12-5/16" (313 mm)  
 Water depth: 3-1/4" (83 mm)  
 Number of deck holes: 3  
 Faucet hole(s): 1-3/8" (35 mm)  
 Drain hole: 1-3/4" (44 mm)

### Notes

Install this product according to the installation instructions.  
 ADA and TAS standards permit parallel approach for children ages 5 years and younger.  
 ADA, OBC, CSA B651 compliant when installed to the specific requirements of these regulations.