



**Persuade®**  
Vanity-top Bathroom Sink.  
**K-2956-1**

**Features**

- Vitreous china.
- Vanity-top.
- Rectangular basin.
- With overflow.
- Single faucet hole.
- Coordinates with other products in the Persuade Collection.
- Also installs to K-2526, K-2527, and K-2529 vanities.
- 25-1/4" (641 mm) x 22" (559 mm)

**Recommended Accessories**

K-8998 P-Trap



**Codes/Standards**

ASME A112.19.2/CSA B45.1




**KOHLER® One-Year Limited Warranty**

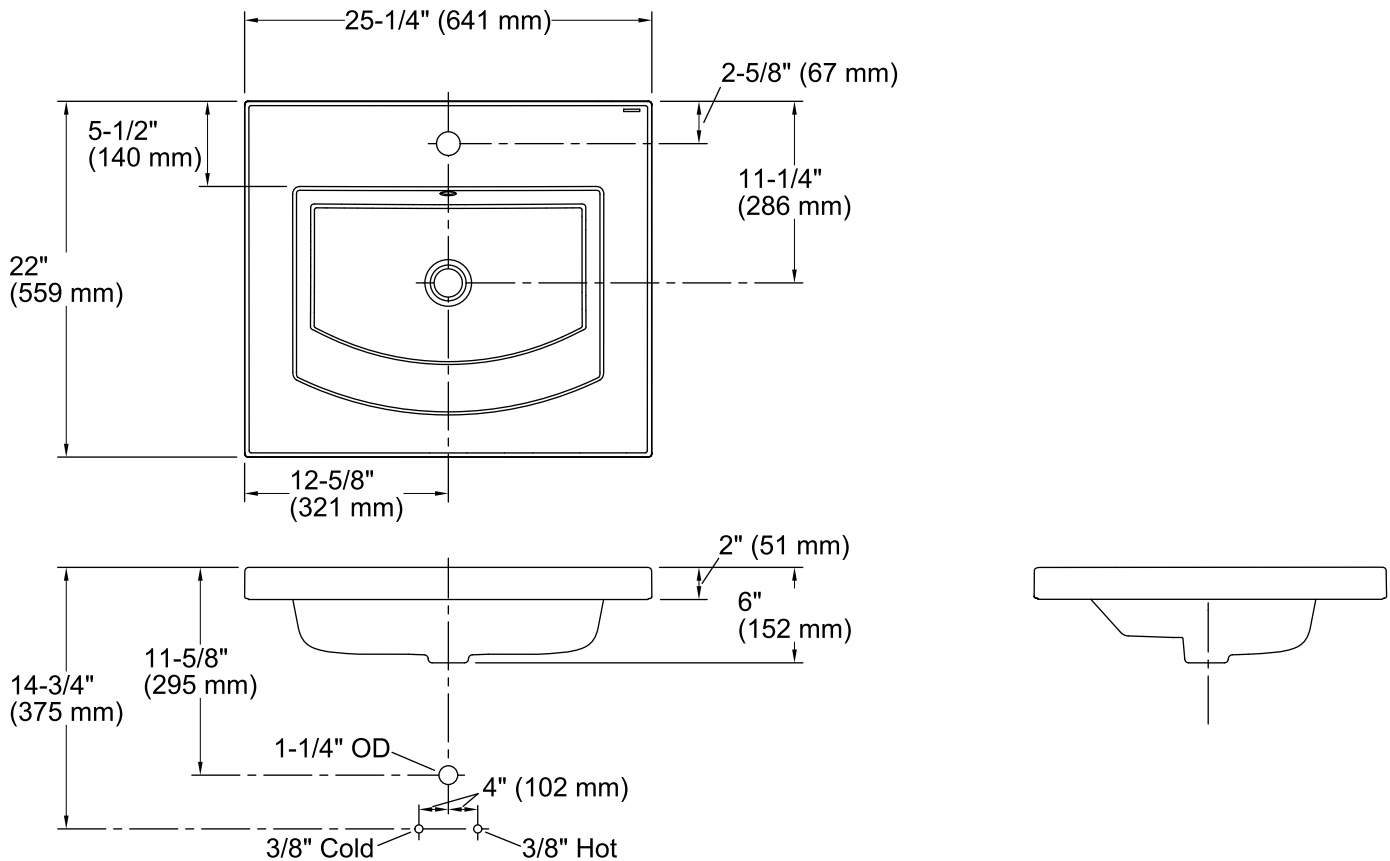
See website for detailed warranty information.

**Available Color/Finishes**

*Color tiles intended for reference only.*

**Color Code Description**

	0	White
	96	Biscuit
	47	Almond



### Technical Information

All product dimensions are nominal.

- Bowl configuration: Single
- Installation: Vanity top
- Bowl area (Only) Length: 18-13/16" (478 mm)  
 Width: 13-7/8" (352 mm)  
 Water depth: 2-1/2" (64 mm)
- Number of deck holes: 1
- Faucet hole(s): 1-3/8" (35 mm)
- Drain hole: 1-3/4" (44 mm)
- Template: Drop-in, 1139967-7, required, included

### Notes

Install this product according to the installation instructions.

**NOTICE:** Countertop manufacturer or cutter must use the cut-out template provided with the product, or a current one provided by Kohler Co. (call 1-800-4KOHLER). Kohler Co. is not responsible for cutout errors when incorrect cut-out template is used.

**NOTE:** This bathroom sink is also designed for installation to the K-2526, K-2527 and K-2529 vanities.