



#### Features

- Compression molded from our exclusive solid Vikrell® material.
- Durable high-gloss finish.
- 10-year consumer/3-year commercial limited warranty.
- 3-speed blower with integrated 300 W heater, air switch control, and grounding-type plug-in cord.
- 1-year limited warranty blower motor assembly.
- 29 air jets.
- Optional attached apron 76268100.
- Optional flange kit available for tile-in installation 71287100-NA.
- Optional flange kit provides continuous rim support and additional water containment benefits.
- 60-1/4" (1530 mm) x 32" (813 mm) x 20-5/16" (516 mm) unit rough-in dimensions include 5/16" (8 mm) tall nailing flange.
- 60" (1524 mm) x 32" (813 mm) x 20-5/16" (516 mm) complete unit finished dimensions.



#### Codes/Standards

ASME A112.19.7/CSA B45.10  
CSA B45.5/IAPMO Z124  
ASTM E162  
ASTM E662  
UL 1795  
CSA 22.2 No. 218.2



#### STERLING® Warranty - Fixtures Made of Solid Vikrell Material

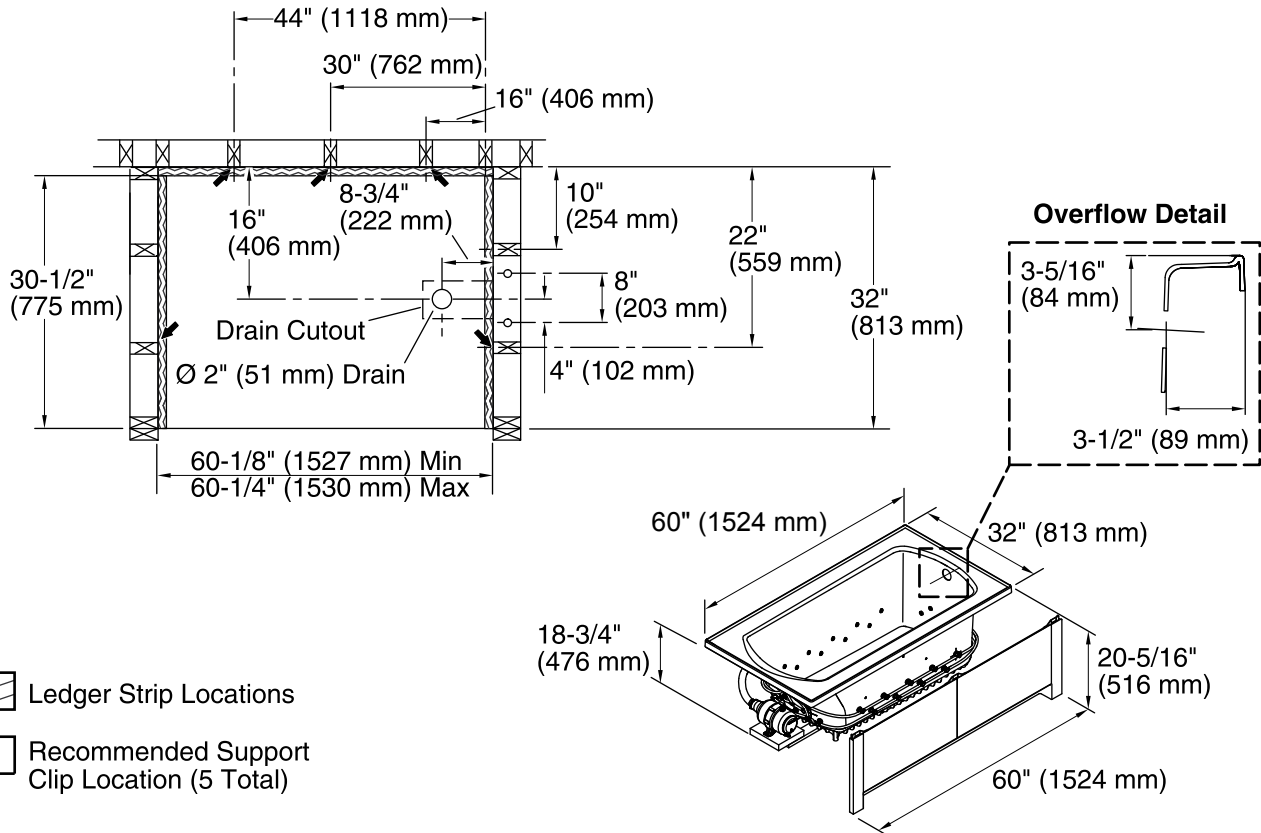
See website for detailed warranty information.

#### Available Color/Finishes

*Color tiles intended for reference only.*

Color	Code	Description
-------	------	-------------

- |  |    |         |
|--|----|---------|
|  | 0  | White   |
|  | 96 | Biscuit |



### Required Electrical Service

One dedicated circuit required, protected with Class A Ground-Fault Circuit-Interrupter (GFCI) or Residual Current Device (RCD).

Blower, Heater: 120 V, 15 A, 60 Hz

### Technical Information

All product dimensions are nominal.

Installation: Drop-in  
 Drain location: Reversible  
 Basin area, bottom: 44" x 21-1/2" (1118 mm x 546 mm)  
 Basin area, top: 51" x 22-3/4" (1295 mm x 578 mm)  
 Water depth: 15-1/4" (387 mm)  
 Water capacity: 53 gal (200.6 L)  
 Electrical rating: Blower: 120 V, 9.2 A, 60 Hz  
 Heater: 300 W

### Notes

Measure your actual product for roughing-in details.

Install this product according to the installation guide.

Blower is supplied with a grounding-type plug-in cord. Locate the outlet within 24" (61 cm) of the blower.

Blower service access is required.

Size the drain cutout to fit the drain assembly that will be used.

Studs should be positioned roughly as shown.