



Lawson™

60" Air Massage Bath

77281100



Features

- Compression molded from our exclusive solid Vikrell® material.
- Durable high-gloss finish.
- 3-speed blower with integrated 300 W heater, air switch control, and grounding-type plug-in cord.
- 29 air jets.
- Optional attached apron 76268100.
- Optional flange kit available for tile-in installation 71287100-NA.
- Optional flange kit provides continuous rim support and additional water containment benefits.
- 60" (152.4 cm) x 42" (106.7 cm) x 20-5/16" (51.6 cm) unit rough-in dimensions include 5/16" (8 mm) tall nailing flange.
- 60" (152.4 cm) x 42" (106.7 cm) x 20-5/16" (51.6 cm) complete unit finished dimensions.



Recommended Accessories

76268100 Apron with Access Panel

Codes/Standards



ASME A112.19.7/CSA B45.10
CSA B45.5/IAPMO Z124
ASTM E162
ASTM E662
UL 1795
CSA 22.2 No. 218.2
Greenguard UL 2818 - Gold

STERLING® Warranty - Fixtures Made of Solid Vikrell Material

See website for detailed warranty information.

Available Color/Finishes

Color tiles intended for reference only.

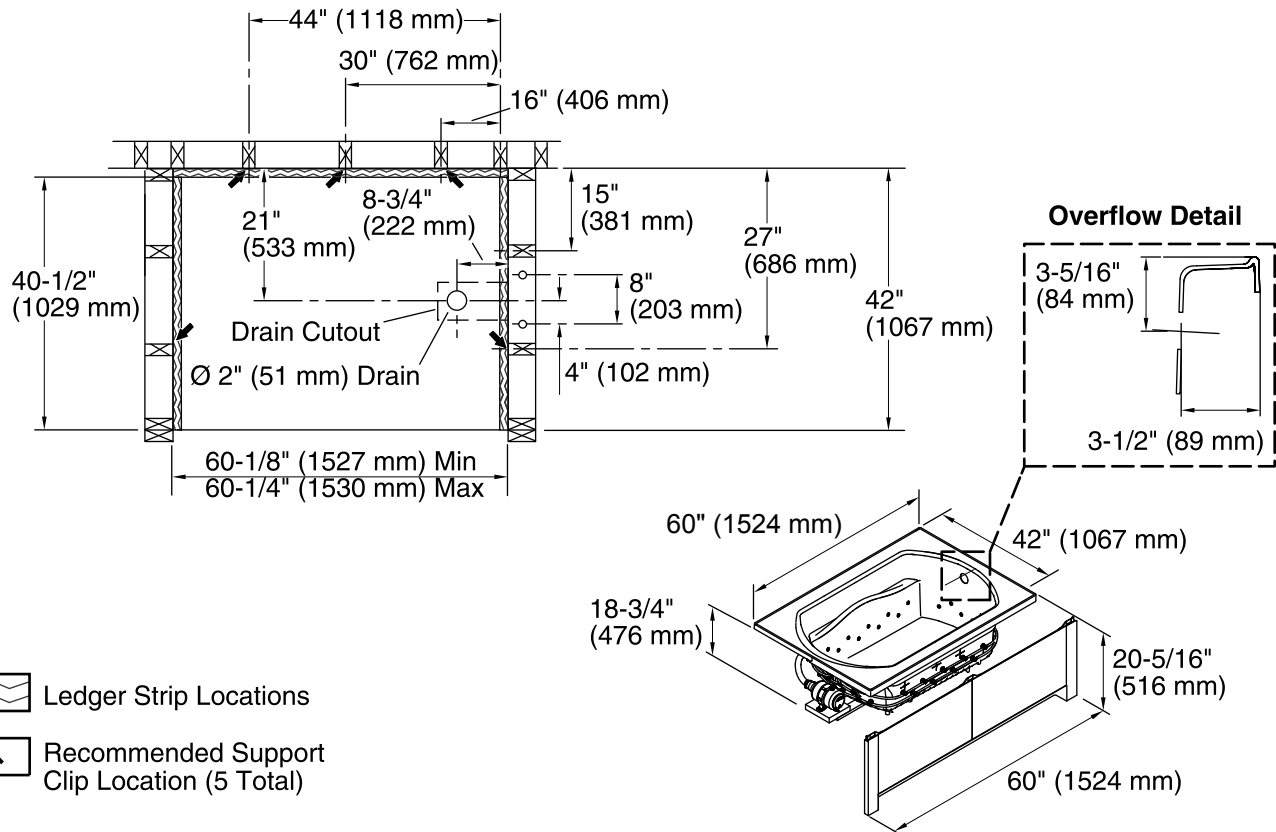
Color	Code	Description
	0	White
	96	KOHLER Biscuit

USA/Canada: 1-800-STERLING (1-800-783-7546)

Kohler Co. reserves the right to make revisions without notice to product specifications.

For the most current Specification Sheet, go to www.sterlingplumbing.com.

7-18-2016 01:29



Required Electrical Service

One dedicated circuit required, protected with Class A Ground-Fault Circuit-Interrupter (GFCI) or Residual Current Device (RCD).

Blower, Heater: 120 V, 15 A, 60 Hz

Technical Information

All product dimensions are nominal.

Installation: Drop-in
 Drain location: End
 Basin area, bottom: 44" x 25-3/4" (1118 mm x 654 mm)
 Basin area, top: 51" x 32-3/4" (1295 mm x 832 mm)
 Water depth: 15-1/4" (387 mm)
 Water capacity: 68 gal (257.4 L)
 Electrical component rating: Blower: 120 V, 9.2 A, 60 Hz
 Heater: 300 W
 Minimum flat for door: 3" (76 mm)

Notes

- Install this product according to the installation instructions.
- Provide one grounded electrical outlet within 24" (610 mm) of each component.
- Size the drain cutout to fit the drain assembly that will be used.
- Blower service access is required.
- End stud positioning is critical if nailing-in flanges are to be used.
- Studs should be positioned roughly as shown for support clip or roofing nail installation.