

63" ADA Shower with Seat and Grab Bars
62070125



Features

- Modular design allows it to be moved around corners and through doorways with ease.
- Durable swirl gloss finish.
- Wall surround includes stainless steel grab bars.
- Includes folding transfer seat with stainless steel support.
- 1/2" (13 mm) threshold with 1/2" (13 mm) finished floor.
- 63-1/4" (1607 mm) x 39-3/8" (1000 mm) x 72" (1829 mm) complete unit finished dimensions.

Material

- Compression molded from our exclusive Vikrell® material.

Installation

- Tongue-and-groove four piece modular design allows for easy snap together installation.
- Caulk required for proper installation.

Components

Product includes:

- 62055125 39" Shower End Wall Set with Seat and Grab Bar
- 62061100 63" Shower Base
- 62062103 63" Shower Back Wall w/Grab Bar



ADA

Codes/Standards

- CSA B45.5/IAPMO Z124
- ASTM E162
- ASTM E662
- Greenguard UL 2818 - Gold
- ADA
- ICC/ANSI A117.1
- HUD, UM Bulletin 73

STERLING® Warranty - Fixtures Made of Solid Vikrell Material

STERLING® Warranty - Bathing & Showering Seats

STERLING® Warranty - Grab Bars

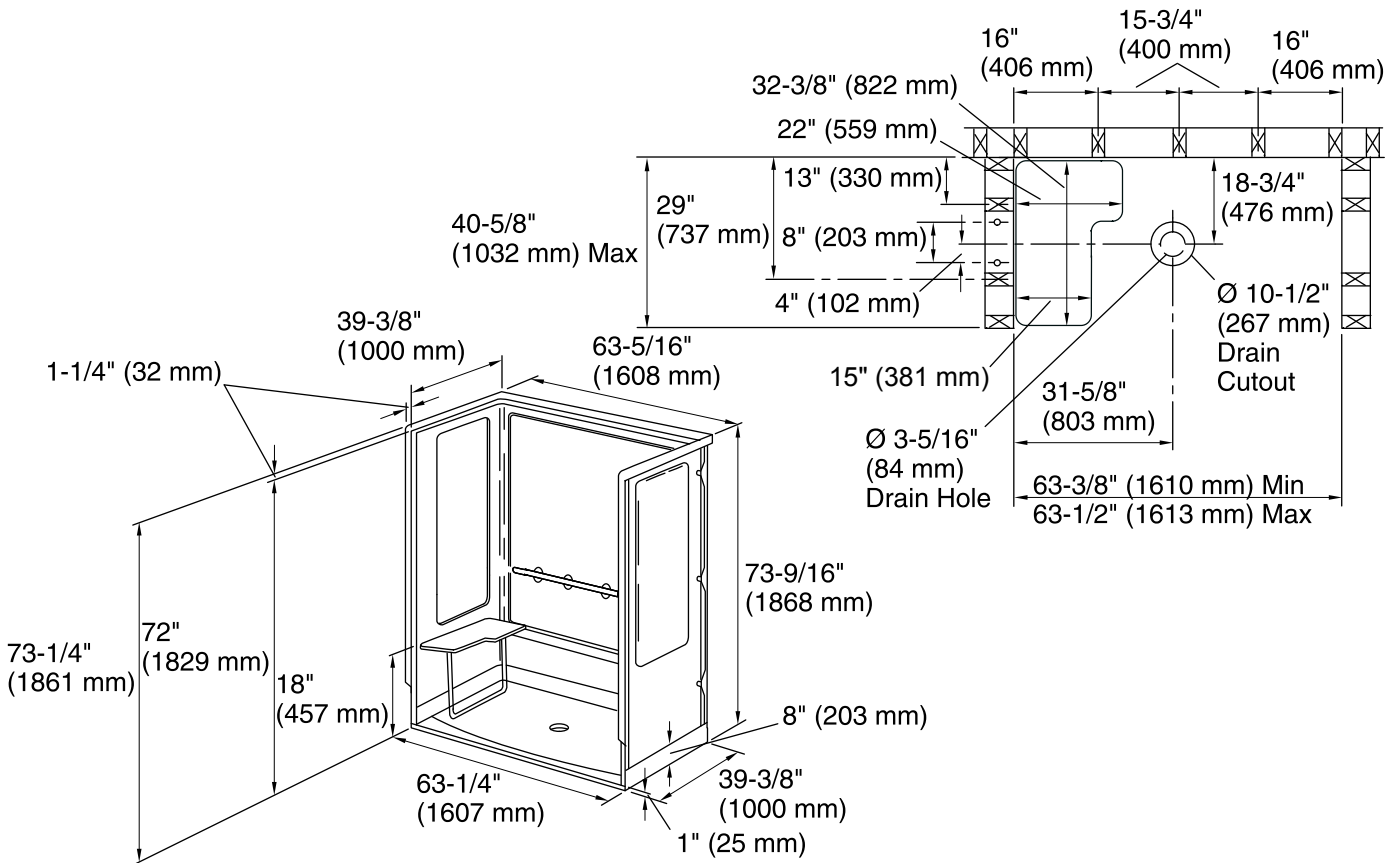
See website for detailed warranty information.

Available Color/Finishes

Color tiles intended for reference only.

| Color | Code | Description |
|-------|------|-------------|
| | 0 | White |
| | 96 | Biscuit |

63" ADA Shower with Seat and Grab Bars
62070125



Technical Information

All product dimensions are nominal.
 Installation: 3-Wall Alcove
 Drain location: Center

Notes

Install this product according to the installation instructions.

1/2" minimum finished floor thickness required.
 Studs should be positioned as shown.

Drain cutout in subfloor to be 10-1/2" (267 mm) per rough-in illustration as shown to allow the backside of the drain to sit below the subfloor surface.

Backer boards and fasteners protrude beyond the back wall 1-1/2" (38 mm). If installing this product against wall board, 1-1/2" (38 mm) furring strips installed over the wall board are recommended. The stud pocket depth of 40-5/8" (1032 mm) will need to be increased by the combined thickness of the wall board and furring strips.

ADA compliant when installed to the specific requirements of these regulations.