

# STERLING®

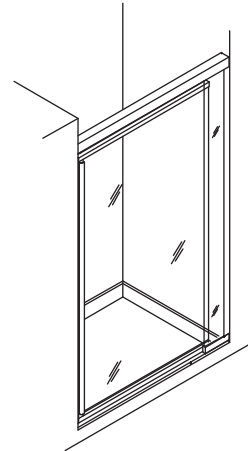
A KOHLER COMPANY

## VISTA PIVOT™ II

### DESIGNER PIVOT SHOWER DOORS 1500D Series

#### Features

- Heavy-duty, anodized aluminum-framed glass doors
- Full length handle for easy operation
- Aluminum components extruded from alloy 6063-T5
- Tempered glass ensures maximum safety and durability
- Threshold directs water back into the shower and minimizes soap or lint build up
- Pivot bushings provide silent operation
- Installs left- or right-handed
- A width adjustment of 6" (152 mm) per model reduces inventory requirements
- Full length magnet provides secure door closure
- Stainless steel hardware prevents rusting or corrosion
- Adjustable wall jamb allows for out-of-plumb conditions



#### Codes/Standards Applicable

Specified model meets or exceeds the following:

- ANSI Z97.1 (tempered glass)
- 16 CFR Part 1201

#### Colors/Finishes

- Refer to the Price Book for current frame finish and glass options

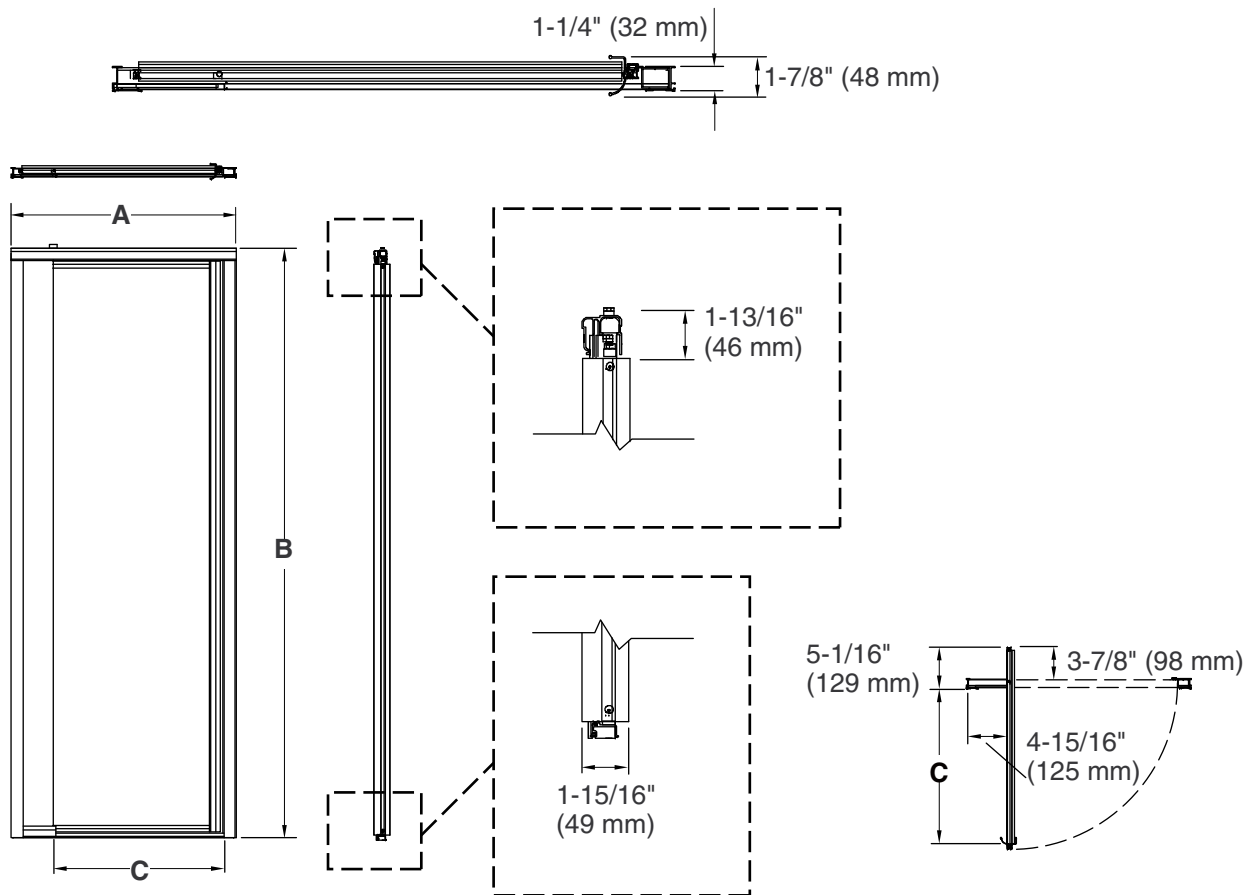
#### Specified Model

Model	A Width (Max/Min)*	B (Height)*	C (Walk Through Max/Min)*
1500D-26**	26-1/2" (673 mm) / 23" (584 mm)	65-1/2" (1664 mm)	17-5/16" (440 mm) / 14-1/2" (368 mm)
1500D-27**	27-1/2" (699 mm) / 24" (610 mm)	65-1/2" (1664 mm)	18-5/16" (465 mm) / 15-1/2" (394 mm)
1500D-31**	31-1/4" (794 mm) / 27-1/2" (699 mm)	65-1/2" (1664 mm)	22-1/16" (560 mm) / 19" (483 mm)
1500D-36**	36" (914 mm) / 31-1/4" (794 mm)	65-1/2" (1664 mm)	24-13/16" (630 mm) / 20-3/4" (527 mm)
1500D-42**	42" (1067 mm) / 36" (914 mm)	65-1/2" (1664 mm)	24-13/16" (630 mm) / 19-1/2" (495 mm)
1500D-48**	48" (1219 mm) / 42" (1067 mm)	65-1/2" (1664 mm)	24-13/16" (630 mm) / 19-1/2" (495 mm)
1505D-26**	26-1/2" (673 mm) / 23" (584 mm)	65-1/2" (1664 mm)	17-5/16" (440 mm) / 14-1/2" (368 mm)
1505D-27**	27-1/2" (699 mm) / 24" (610 mm)	65-1/2" (1664 mm)	18-5/16" (465 mm) / 15-1/2" (394 mm)
1505D-31**	31-1/4" (794 mm) / 27-1/2" (699 mm)	65-1/2" (1664 mm)	22-1/16" (560 mm) / 19" (483 mm)
1505D-36**	36" (914 mm) / 31-1/4" (794 mm)	65-1/2" (1664 mm)	24-13/16" (630 mm) / 20-3/4" (527 mm)
1505D-42**	42" (1067 mm) / 36" (914 mm)	65-1/2" (1664 mm)	24-13/16" (630 mm) / 19-1/2" (495 mm)
1505D-48**	48" (1219 mm) / 42" (1067 mm)	65-1/2" (1664 mm)	24-13/16" (630 mm) / 19-1/2" (495 mm)
1506D-48**	48" (1219 mm) / 42" (1067 mm)	65-1/2" (1664 mm)	24-13/16" (630 mm) / 19-1/2" (495 mm)
1507D-31**	31-1/4" (794 mm) / 27-1/2" (699 mm)	65-1/2" (1664 mm)	22-1/16" (560 mm) / 19" (483 mm)
1507D-36**	36" (914 mm) / 31-1/4" (794 mm)	65-1/2" (1664 mm)	24-13/16" (630 mm) / 20-3/4" (527 mm)
1530D-36**	36" (914 mm) / 31-1/4" (794 mm)	69" (1753 mm)	24-13/16" (630 mm) / 20-3/4" (527 mm)
1530D-42**	42" (1067 mm) / 36" (914 mm)	69" (1753 mm)	24-13/16" (630 mm) / 19-1/2" (495 mm)
1530D-48**	48" (1219 mm) / 42" (1067 mm)	69" (1753 mm)	24-13/16" (630 mm) / 19-1/2" (495 mm)
1535D-36**	36" (914 mm) / 31-1/4" (794 mm)	69" (1753 mm)	24-13/16" (630 mm) / 20-3/4" (527 mm)
1535D-42**	42" (1067 mm) / 36" (914 mm)	69" (1753 mm)	24-13/16" (630 mm) / 19-1/2" (495 mm)
1535D-48**	48" (1219 mm) / 42" (1067 mm)	69" (1753 mm)	24-13/16" (630 mm) / 19-1/2" (495 mm)

\* Note: Consult the product diagram on Page 2 for the location of the measurements.

\*\* Note: Add appropriate frame color/finish code to the end of the unit model number when ordering.

# VISTA PIVOT™ II



## Product Diagram