

Features

- Vitreous china
- Elongated bowl
- Comfort Height®
- Class Five® flushing system
- Includes seat, cover, wax ring, polished chrome trip lever and floor hardware
- Quiet-Close™ Quick-Release™ toilet seat and cover
- Less supply
- 1.28 gpf (4.8 lpf)
- 12" (305 mm) rough-in
- 2-1/8" (54 mm) glazed trapway
- 10-1/2" (267 mm) x 7-7/8" (200 mm) water area
- 28-3/4" (730 mm) x 17-5/8" (448 mm) x 30-3/4" (781 mm)

THE COMPLETE SOLUTION® TOILET K-11813

ADA CSA B651 OBC



Codes/Standards Applicable

Specified model meets or exceeds the following:

- ADA
- CSA B651
- OBC
- ASME A112.19.2/CSA B45.1
- EPA WaterSense®

Colors/Finishes

- 0: White
- Other: Refer to Price Book for additional colors/finishes

Accessories

- 0: White
- CP: Polished Chrome
- PB: Vibrant® Polished Brass
- Other: Refer to Price Book for additional colors/finishes

Specified Model

Model	Description	Trip Lever	Colors/Finishes
K-11813	The Complete Solution toilet	left-hand	<input type="checkbox"/> 0 <input type="checkbox"/> Other_____
Recommended Accessories			
K-4660	Lustra™ elongated open-front toilet seat – for Accessibility compliance	<input type="checkbox"/> 0	<input type="checkbox"/> Other_____
K-7637	Angle supply with stop – 3/8" NPT	<input type="checkbox"/> CP	<input type="checkbox"/> PB <input type="checkbox"/> Other_____

Product Specification

The elongated bowl toilet shall be made of vitreous china. Toilet shall be 28-3/4" (730 mm) in length, 17-5/8" (448 mm) in width, and 30-3/4" (781 mm) in height with a 10-1/2" (267 mm) x 7-7/8" (200 mm) water area. Toilet shall be Comfort Height. Toilet shall be 12" (305 mm) rough-in and 2-1/8" (54 mm) glazed trapway. Toilet shall be 1.28 gpf (4.8 lpf) with Class Five flushing system. Toilet shall include Quiet-Close Quick-Release seat with cover. Toilet shall include seat, cover, wax ring, polished chrome trip lever, and floor hardware. Toilet shall be less supply. Toilet shall be Kohler Model K-11813-_____.

CIMARRON®

Optional Accessories

K-9466-L	Left-hand trip lever (non-CP)		<input type="checkbox"/> PB	<input type="checkbox"/> Other_____
K-9470-L	Left-hand trip lever	<input type="checkbox"/> CP	<input type="checkbox"/> PB	<input type="checkbox"/> Other_____

Technical Information

Fixture:	
Configuration	two-piece, elongated
Water per flush	1.28 gal (4.8 L)
Passageway	2-1/8" (54 mm)
Water area	10-1/2" (267 mm) x 7-7/8" (200 mm)
Water depth from rim	6-3/8" (162 mm)
Seat post hole centers	5-1/2" (140 mm)

Included components:	
Bowl	K-4309
Tank	K-4421
Tank cover	1086929
Trip lever	1059436
Toilet seat	K-4636

Included components (cont.):	
Tank accessory pack	1016548
Bolt cap accessory pack	1013092
Wax ring and hardware installation kit	1023457

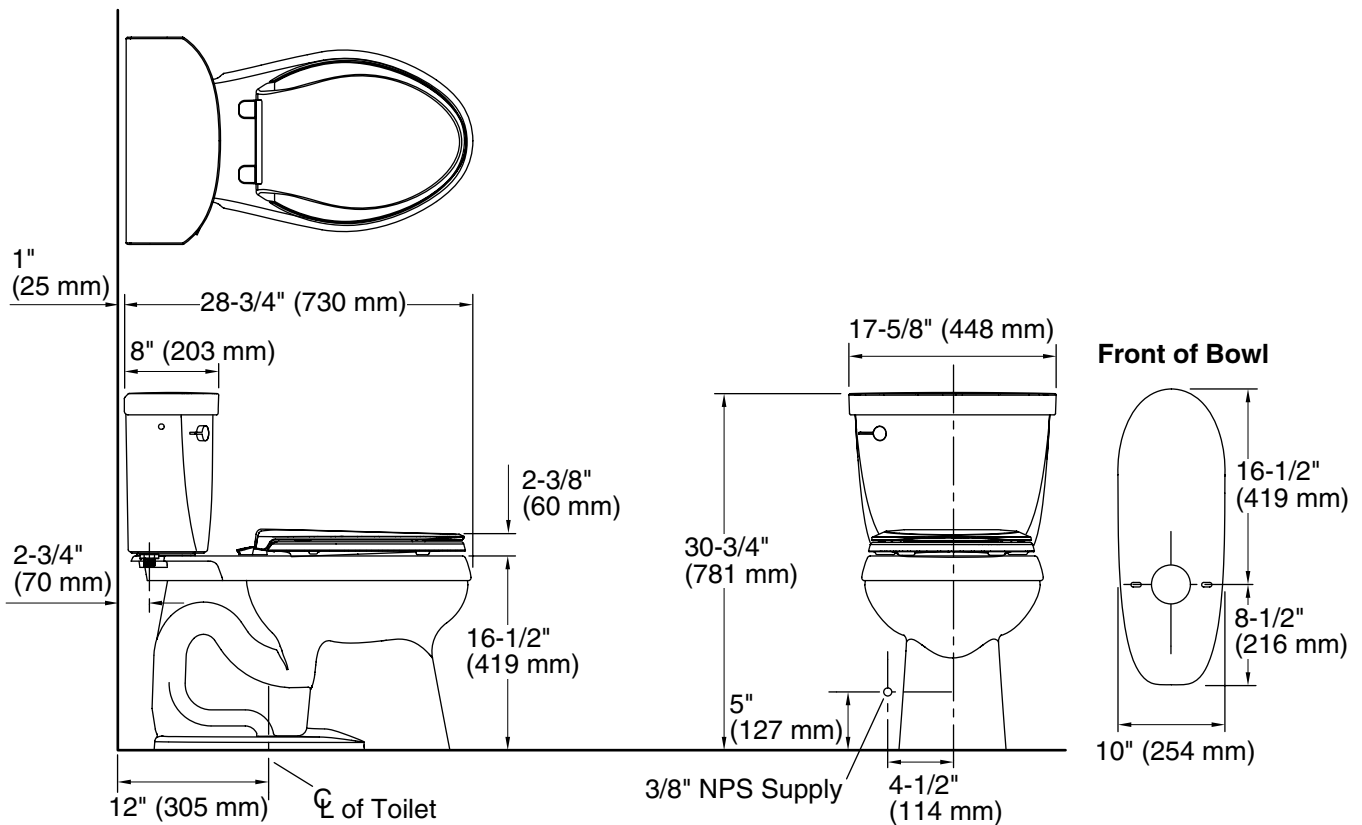
Installation Notes

Install this product according to the installation guide.

Will comply with the American Disabilities Act (**ADA**) when installed per the requirements of the Accessibility Guidelines, Section 604 Water Closets, of the Act. The Model Plumbing Codes require the installation of elongated open-front toilet seats in public bathrooms.

Will comply with **CSA B651** when installed per Clause 4.3.6 of the standard.

Will comply with **OBC Barrier Free** requirements when installed per Clause 3.8.3.8 and 3.8.3.9.



Product Diagram