

Design features:

- Produced from high-grade, reinforced, molded fiberglass for optimum strength and impact resistance using matched metal molds under heat and pressure.
- Ideal for new or remodel projects...fits all Topaz™ Fiberglass Bathtubs, as well as standard 30" x 60" or 32" x 60" bathtubs of other manufacturers..
- Includes four large, molded-in, self-draining shelf ideal for shampoo, soap, etc.
- Five panel wall system with seamless corner panels and overlapping edges, create a watertight wall surround.
- Panels can be trimmed to simplify installation in out-of-plumb alcoves or for installing DURATRIM® window kits.
- Adhesive mounts to drywall or like surfaces
- Available in white
- Textured, colorfast semi-gloss finish, resists scuffs.
- Mold and mildew-resistant...easy to clean

Code Accepted

- American Society of Testing and Materials (ASTM) – D635, E-84 and E-162
- American National Standards Institute (ANSI) - Specification ANSI Z 124-2011
- Inhalation Toxicity Test – to evaluate inhalation health hazard with combustible products.
- CAN/ULC S102-07 Burn and Smoke Test



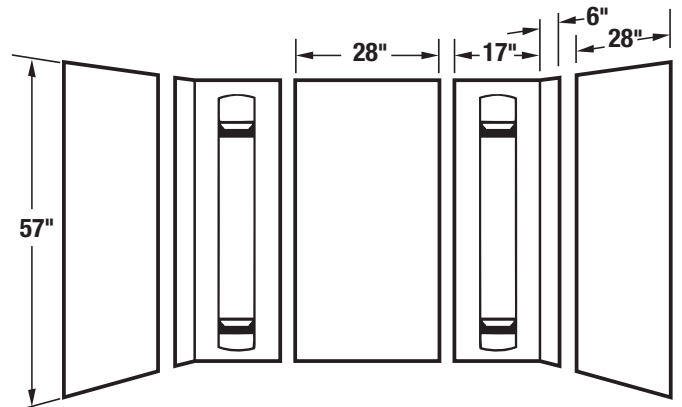
Specifications

Model	Color	Fits Alcove	UPC
557WHT	White	30" x 60" or 32" x 60"	6 71031 00336 2

General: Furnish and install as shown on plans, DURAWALL® Bathtub Walls model 557, as manufactured by E.L. Mustee & Sons, Inc. The wall system shall be five-piece construction with molded-in shelf. panels shall include 20% fiberglass reinforced composite material and be manufactured with matched metal molds under extreme heat and pressure with a uniform thickness of 85 mils. scuff-resistant surface. Unit shall meet or exceed applicable test, per ANSI Z 124-2011. Color____(White).

Requires three to five 11 oz. cartridges of panel adhesive labeled for bonding to Bathtub and Shower walls.

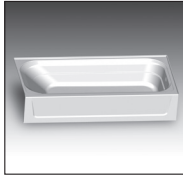
Don't use adhesive containing tar, asphalt, lacquer thinner or toluene.





▶ **TOPAZ™ Premium Fiberglass Bathtubs, 30"x 60"**

Elegance, classic design, quality craftsmanship, deep colorfast finish...everything you're looking for in a premium soaking bathtub can be summed up in one word...TOPAZ™. These high quality bathtubs fit all Mustee bathtub wall systems and 30" x 60" standard bathtub walls.



Model No.	Color	Drain Location	UPC
T6030R	White	RH	6 71031 00413 0
T6030L	White	LH	6 71031 00411 6

▶ **300.600W DURATRIM® Fiberglass Window Trim Kits**

Should there be an existing window or plans for one where you want to install a new Mustee bathtub wall, our fiberglass window trim kits will create a beautiful finish to any window installation.



Model No.	Color	UPC
300.600W	White	6 71031 00060 6

▶ **CareGiver® Grab Bars— 1-1/2" Dia. Straight**

A wide range of 304 stainless steel grab bars in all popular styles, lengths and sizes are available to provide support and stability.



Model No.	Size	UPC
390.305	18"	6 71031 00452 9
390.301	24"	6 71031 00359 1
390.306	36"	6 71031 00434 5
390.307	42"	6 71031 00435 2
390.302	48"	6 71031 00360 7

