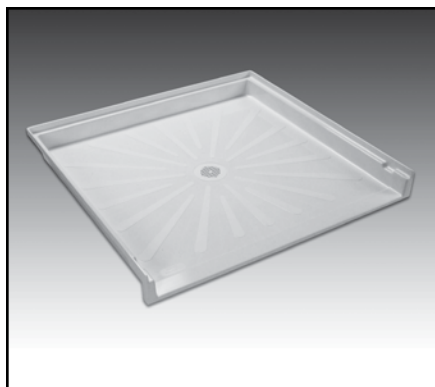




SEE PAGES 2-4 FOR A LIST OF ACCESSORIES!



Design features:

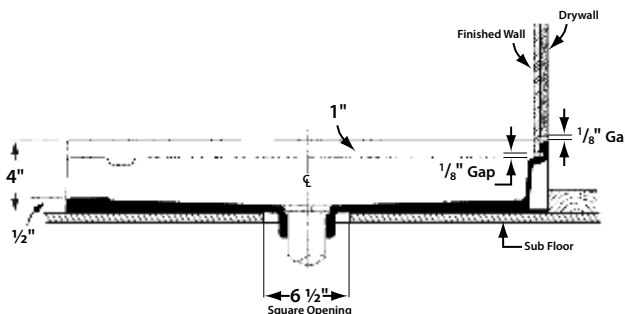
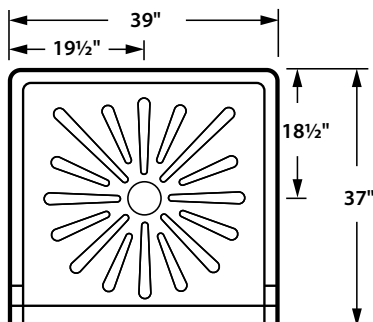
- Produced from high-grade, reinforced, molded fiberglass for optimum strength and impact resistance using matched metal molds under heat and pressure.
- Ideal for new or remodel projects...fits DURAWALL® Shower Walls (see Accessories section) as well as ceramic tile or preformed wall kit.
- Fits 39" wide by 37" deep alcove
- Integrally molded-in drain with removable strainer and drain seal for installation of 2" iron DWV (Sch. 40) PVC or ABS sanitary drain pipe.
- 1/2" High molded threshold to retain water.
- Meets ADA requirements for a full 36" turning circle
- Slip resistant Starburst® surface helps rapidly evacuate water to the drain
- Center drain location
- Available in white or bone
- Smooth, colorfast semi-gloss finish, resists scuffs.
- Mold and mildew-resistant...easy to clean

Code Accepted

- Americans with Disabilities Act (ADA)
- Code of Federal Regulations: July 1, 1997 and July 1, 2007 (ADA)
- American Society of Testing & Materials (ASTM)-D635 Flammability,E84 Flame Spread, E165.75 Fire Retardancy

Specifications

Model	Description	Drain Location	Fits Alcove	UPC
3739M	White	Center	37" x 39"	6 71031 00353 9
3739BN	Bone	Center	37" x 39"	6 71031 00354 6



General: Furnish and install as shown on plans, CareGiver® Transfer Shower Floor Model 3739 as manufactured by E.L. Mustee & Sons, Inc. Shower floor to be one-piece, molded fiberglass, using matched metal molds under extreme heat and pressure. Surface to be slip-resistant Starburst® design that does not interfere with flow of water. Size: 37" x 39". Shoulder will be not less than 3" high or less than 1" wide. Tiling flange will extend not less than 1" high to provide an integral water barrier. Threshold will be 1/2" high. Molded-in drain and drain seal for installation of 2" iron DWV (Sch. 40) PVC or ABS sanitary drain pipe. Removable strainer. Shall meet ADA, ASTM D635, E84 and D635 and Code of Federal Regulation July 1, 1997 and July 1, 2007. Color ____ (White, Bone).





▶ DURAWALL® Shower Walls

Mustee offers several premium-quality VARISTONE® fiberglass and DURAWALL® thermoplastic shower walls to best fit the needs of your Model 3060 ShowerTub™ Easy Access Shower Floor application.

572T VARISTONE™ — FIBERGLASS, 5-PANEL RECTANGULAR SHOWER WALLS, ADHESIVE MOUNT



Model No.	Description	UPC
572TWHT	Widths to 39", depths to 42"	6 71031 00420 8
572TBN	Widths to 39", depths to 42"	6 71031 00421 5

Optional 572.300 VARISTONE® Shelves



Expressly produced to color match the finishes available for Mustee's Model 572T shower walls, VARISTONE® shelves adhesive mount to the walls in any desired position or arrangement to best meet your needs.

Model No.	Color	UPC
572.300	White	6 71031 00385 0
572.300BN	Bone	6 71031 00386 7

260 DURAWALL® — THERMOPLASTIC, 5-PANEL RECTANGULAR SHOWER WALLS, ADHESIVE MOUNT



Model No.	Description	UPC
260WHT	Widths to 60", depths to 40"	6 71031 00053 8
260BN	Widths to 60", depths to 40"	6 71031 00050 7

265 DURAWALL® — THERMOPLASTIC, 5-PANEL RECTANGULAR SHOWER WALLS, ADHESIVE MOUNT



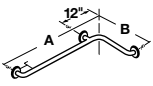
Model No.	Description	UPC
265WHT	Widths to 71", depths to 41-1/2"	6 71031 00478 9



▶ CareGiver® Grab Bars

A wide range of straight and angled 304 stainless steel grab bars in all popular styles, lengths and sizes are available to provide in-shower support and stability.

1½" DIA. INSIDE CORNER STYLES — SAFETY GRAB BARS



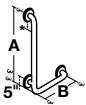
Model	A	Size	B	C	UPC
390.304	34"		18"	90°	6 71031 00362 1



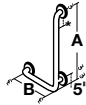
1½" DIA. STRAIGHT — SAFETY GRAB BARS

Model	Size	UPC
390.305	18"	6 71031 00452 9
390.301	24"	6 71031 00359 1
390.306	36"	6 71031 00434 5

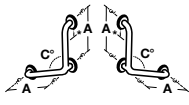
1½" DIA. ANGLED — SAFETY GRAB BARS



Model	A	Size	B	C	UPC
390.308	24"		16"	90°	6 71031 00436 9
390.309	32"		16"	90°	6 71031 00437 6



390.310	24"		16"	90°	6 71031 00438 3
390.311	32"		16"	90°	6 71031 00439 0



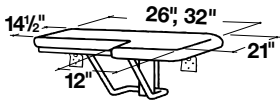
390.312	30"			90°	6 71031 00440 6
390.313	12"		No Corner Flange	120°	6 71031 00441 3
390.314	16"			120°	6 71031 00442 0
390.315	24"			120°	6 71031 00443 7

Rotate for RH or LH use

▶ CareGiver® Fold-Down Shower Seats

CareGiver® Fold-Down Shower Seats can be ordered in Right hand, Left hand and Rectangular Fold-Down and Leg-supported styles. All popular sizes are available to provide a stable, secure place to sit while showering.

LEFT-HAND SEAT — WALL MOUNT



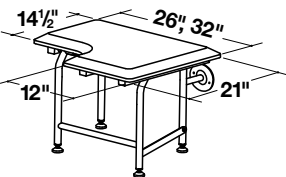
Model	Size	UPC
390.402	26" x 21"	6 71031 00364 5
390.404	32" x 21"	6 71031 00366 9

RIGHT-HAND SEAT — WALL MOUNT



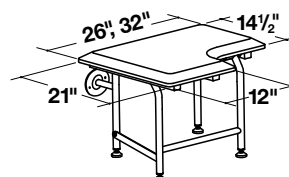
Model	Size	UPC
390.401	26" x 21"	6 71031 00363 8
390.403	32" x 21"	6 71031 00365 2

LEFT-HAND SEAT — WITH LEGS



390.405	26" x 21"	6 71031 00444 4
390.406	32" x 21"	6 71031 00445 1

RIGHT-HAND SEAT — WITH LEGS



390.407	26" x 21"	6 71031 00446 8
390.408	32" x 21"	6 71031 00447 5

Continued on next page »



► **CareGiver® Fold-Down Shower Seats (continued)**

CareGiver® Fold-Down Shower Seats can be ordered in Right hand, Left hand and Rectangular Fold-Down and Leg-supported styles. All popular sizes are available to provide a stable, secure place to sit while showering.

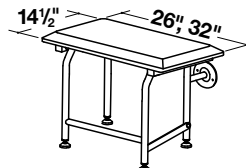
RECTANGULAR SEAT
— WALL MOUNT

390.409	26" x 14½"	6 71031 00448 2
390.410	32" x 14½"	6 71031 00449 9

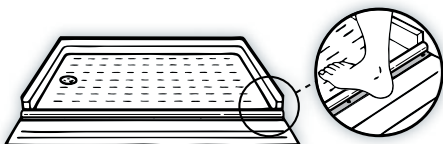


RECTANGULAR SEAT
— WITH LEGS

390.411	26" x 14½"	6 71031 00450 5
390.412	32" x 14½"	6 71031 00451 2



► **Continuous Water Barrier Kit**



The 360.210 Continuous Water Barrier Kit creates an effective water barrier for the shower threshold that easily collapses for wheelchairs or walkers then instantly reforms to keep water from escaping.

Model	UPC
360.210	6 71031 00479 6

► **GapSeal-Pro™ — For all shower floors and bathtubs**



Model No.	Description	UPC
60.320A	132" long x 2" tall	6 71031 00496 3

The flexible PVC GapSeal-Pro™ features a strong adhesive strip that allows it to be easily positioned to "extend" the tile flange and effectively seal the gap between drywall or like-surfaces on shower floors or bathtubs. Patent pending.

