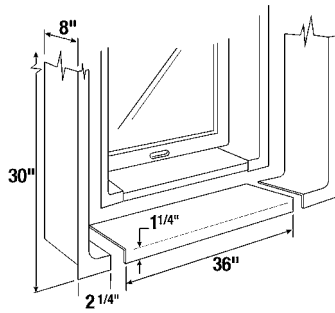


**TUB & SHOWER WALL ACCESSORIES**
**WTK-1 High-Gloss Window Trim Kit**

For window sill applications up to 36" wide and 8" deep.


**WTK-1**

Model	Part	Ship Wt. Lb.	Ship UPS	Carton Dims. In.	Cu. Ft.
WTK-1 (single)	WK10000	9	UPS	37 x 8 x 4	.69
WTK-1 (6-pak)	WK1000006	50	UPS	36 x 23 x 10	4.8

**Extension Divider Strip** – For window sill applications greater than 36" wide.\*

WK-1009	WK10000DS Window Trim Kit Divider Strip	1	UPS	–	–
WK-1001	WK10000WS Window Sill Panel	3	UPS	37 x 8 x 4	.69

\*Covers seam when joining two sill panels.

Kit Includes: One horizontal sill panel, two vertical jamb panels, installation materials and complete installation instructions.

Packaging: Packed in individual cartons, both singly and with a master carton (6 pack).