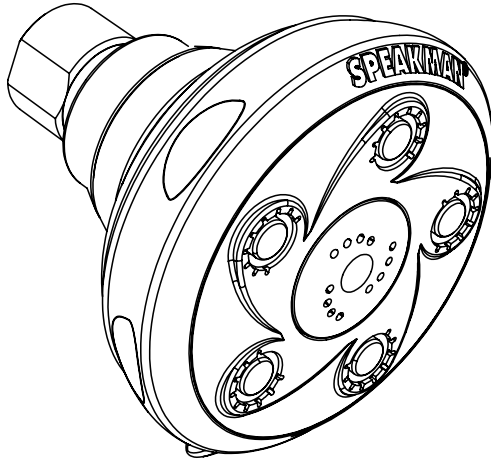


SPEAKMAN®

Napa™ Fixed Showerhead

S-2007

SPECIFICATION



FEATURES:

- 3½ in. diameter face
- 5 self-cleaning plunger nozzles resist scale build-up
- 45 spray streams for a full body coverage pattern.
- Center core nozzle delivers pulsating massage jets.
- Adjusting spray ring
- Swivel ball connector
- Combination spray available.
- 2.5 gpm (9.5 L/min) flow rate

COMPLIANCE:

- ASME A112.18.1/CSA B125.1 certified
- WaterSense certified (E2)

FINISHES:

ADD SUFFIX TO MODEL #

- Polished Chrome (standard)
- Polished Brass -PB
- Brushed Nickel -BN

OPTIONS:

ADD SUFFIX TO MODEL #

- 2.0 gpm flow rate -E2



WARRANTY:

- Lifetime Limited Warranty

SEE REVERSE FOR ROUGH-IN DIMENSIONS

THIS SPACE FOR ARCHITECT/ENGINEER APPROVAL.

SPEAKMAN®

400 ANCHOR MILL ROAD | NEW CASTLE, DE 19720
P: 800-537-2107 | F: 800-977-2747
WWW.SPEAKMANCOMPANY.COM

REVISION DATE: JANUARY 2014

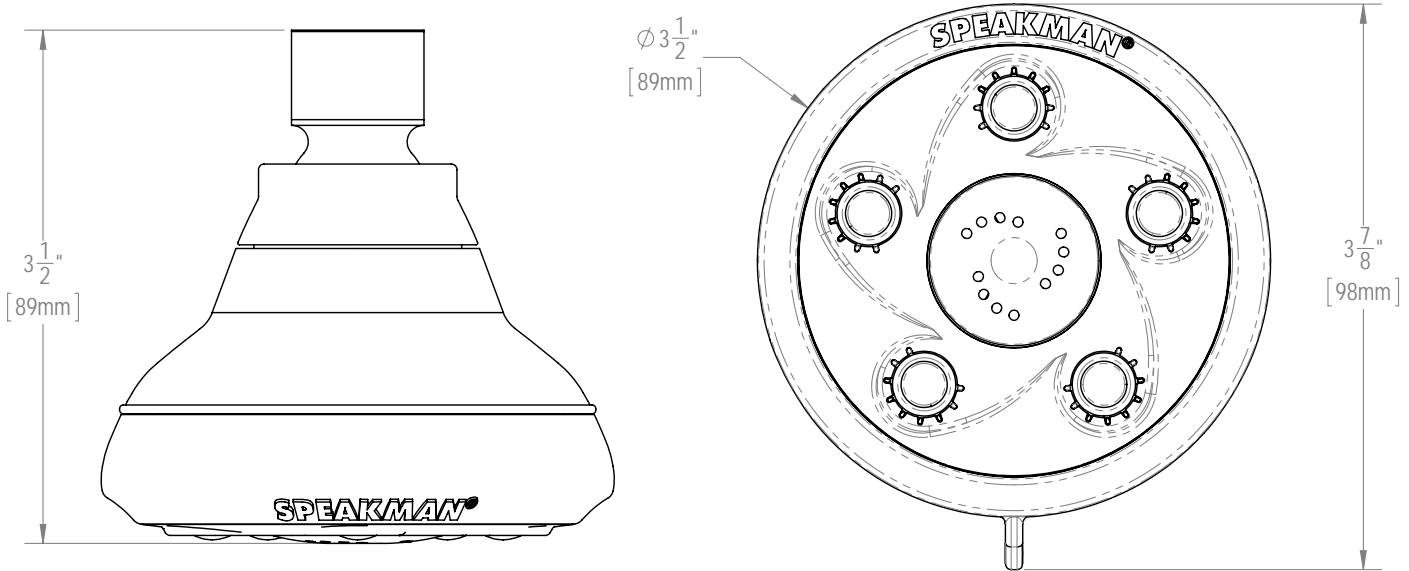


Management Systems
Registered to ISO 9001

SPEAKMAN®

Napa™ Fixed Showerhead S-2007

SPECIFICATION



NOTE: 1. All dimensions are in inches (millimeters) unless otherwise specified and are subject to change without notice.

THIS SPACE FOR ARCHITECT/ENGINEER APPROVAL.

SPEAKMAN®

400 ANCHOR MILL ROAD | NEW CASTLE, DE 19720
P: 800-537-2107 | F: 800-977-2747
WWW.SPEAKMANCOMPANY.COM

REVISION DATE: JANUARY 2014



Management Systems
Registered to ISO 9001