

SPEAKMAN® S-2254

Retro™ Shower Head

FEATURES:

- 6 plungers, 48 sprays
- Solid brass construction
- Spray adjusting handle
- 1/2 in. NPT inlet
- Patented plungers resist scale buildup
- 2.5 gpm (9.5 L/min) flow rate

FINISH:



PC BN PB

OPTIONS:

 Add suffix to model #

- 2.0 gpm (7.6 L/min) flow rate -E2

COMPLIANCE:

- ASME A112.18.1/CSA B125.1 compliant
- WaterSense certified (E2)

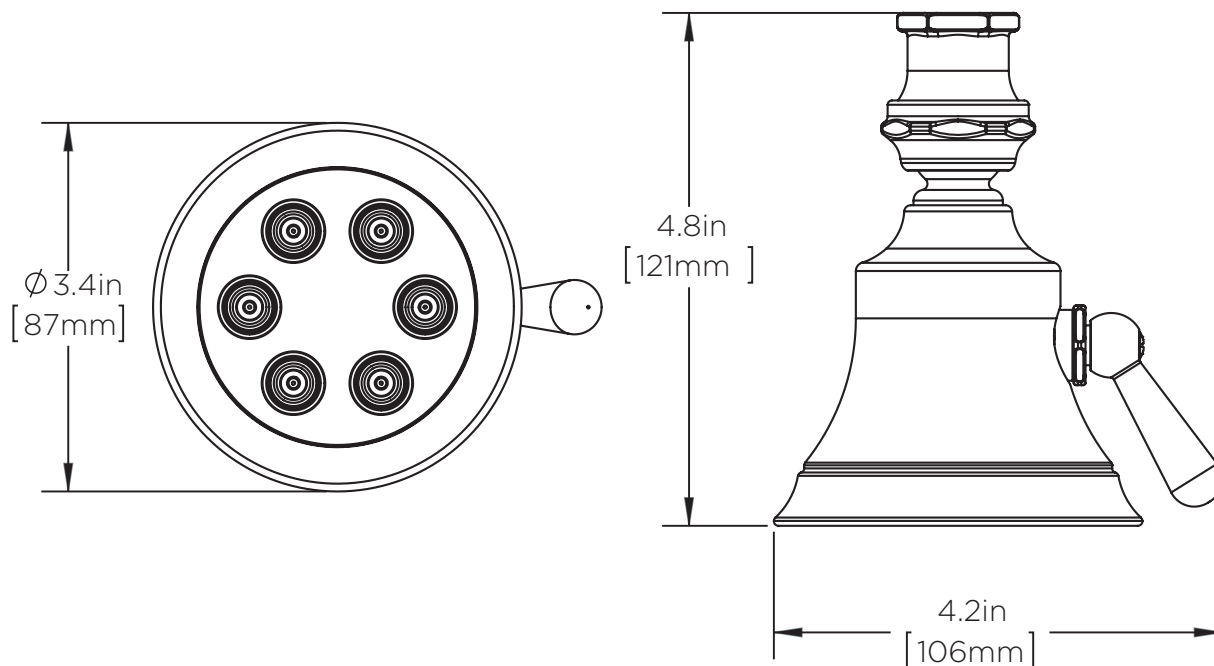


WARRANTY:

- Limited Lifetime Warranty (consumer use)
- 1 Year Limited (commercial use)



DIMENSIONS:

 NOTE: 1. All dimensions are in inches (millimeters) unless otherwise specified and are subject to change without notice.

Architect/Engineer Approval Space:

SPEAKMAN
400 ANCHOR MILL ROAD
NEW CASTLE, DE 19720

P: 800-537-2107
F: 800-977-2747
W: WWW.SPEAKMAN.COM
R: DECEMBER 2016