

SPEAKMAN® SB-1721-E

Chelsea Widespread Faucet

FEATURES:

- Lead-free brass construction
- Two, sculpted lever handles
- 1.2 gpm (4.5 L/min) flow rate
- 1/4 turn ceramic cartridges
- Quick connect fittings
- Includes pop-up drain assembly

COMPLIANCE:

- ASME A112.18.1/CSA B125.1 certified
- NSF 61 certified
- WaterSense certified
- NSF 372 certified
- Meets ADA

FINISH:



PC BN

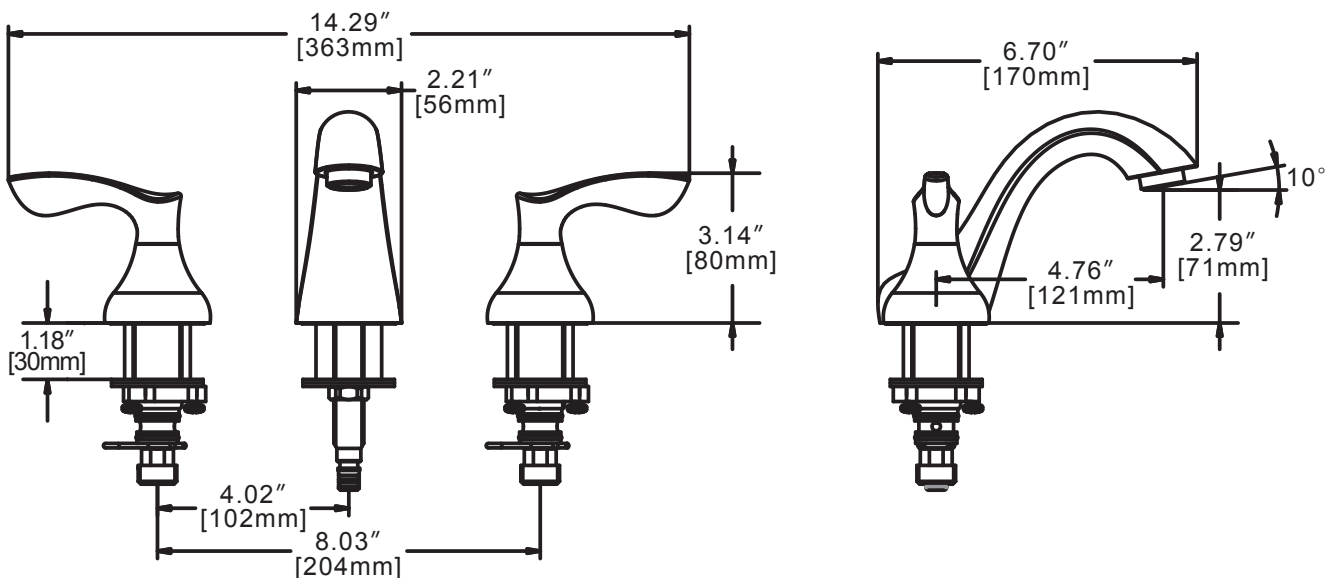
WARRANTY:

- Limited Lifetime Warranty (consumer use)
- 5 Year Limited (commercial use)



DIMENSIONS:

NOTE: 1. All dimensions are in inches (millimeters) unless otherwise specified and are subject to change without notice.



Architect/Engineer Approval Space:

SPEAKMAN
400 ANCHOR MILL ROAD
NEW CASTLE, DE 19720

P: 800-537-2107
F: 800-977-2747
W: WWW.SPEAKMAN.COM
R: JUNE 2015