

20.6 Cubic Foot ENERGY STAR® Top Mount Refrigerator

HT21TS85SP



Available

Unit Specifications

Width	31.25"
Depth	33.88"
Height	67"
Weight	208 lbs.
UPC	688057308821 (White)

More Easy-To-Use Features

- ENERGY STAR® Qualified
- Optional Ice Maker Sold Separately
- Dual Knob Temperature Controls
- Adjustable, Spillproof Glass Shelves in Freezer and Refrigerator
- Gallon Door Storage
- Energy-Efficient LED Lighting
- 2 Humidity-Controlled Clear Crispers
- Clear Freezer Door Bins

Warranty

- 1 Year Warranty (Parts and Labor)
- 5 Year Sealed System

Available Finishes



HT21TS85SP

Signature Features

Clear Door Bins

Contains spills while freeing up shelf space

Spillproof Glass Shelves

Fridge and freezer shelves organize food storage

Split-Level LED Lighting

Tiered tri-light lighting eliminates dark spots and saves energy

Clear Humidity Controlled Crispers

Provide the ideal environment for storing your fruits and vegetables while optimizing food preservation



Letter	Cutout Dimensions	in.
A	Width	31.25"
B	Height of Case (Without Hinge)	66.34"
C	Height (With Hinge Cover)	67"
D	Depth of Case (Without Door)	27.90"
E	Depth (Without Handle)	31.25"
F	Depth (With Handle)	33.88"
G	Depth (Door at 90°)	60.50"

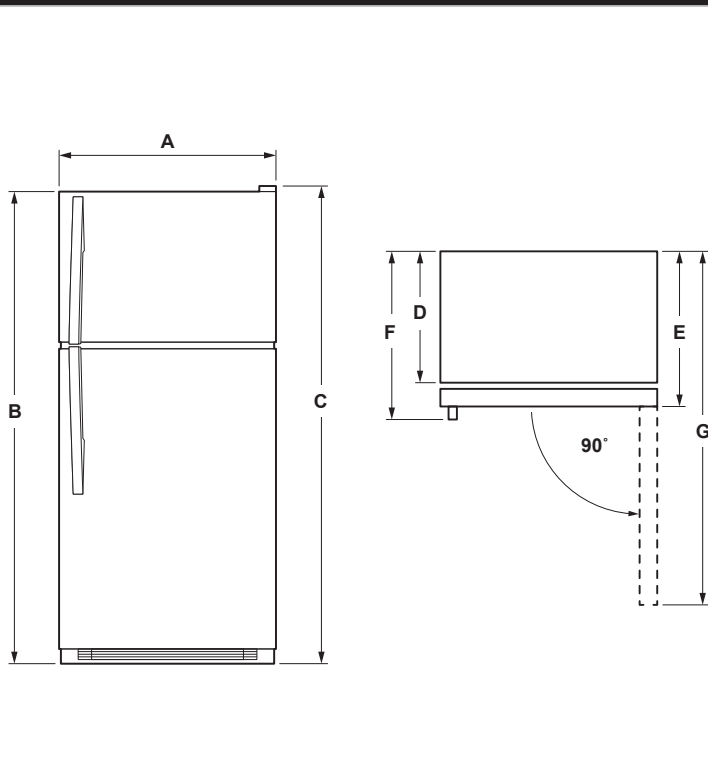
Required Air Clearances

Top	1"
Back	2"
Sides	1"

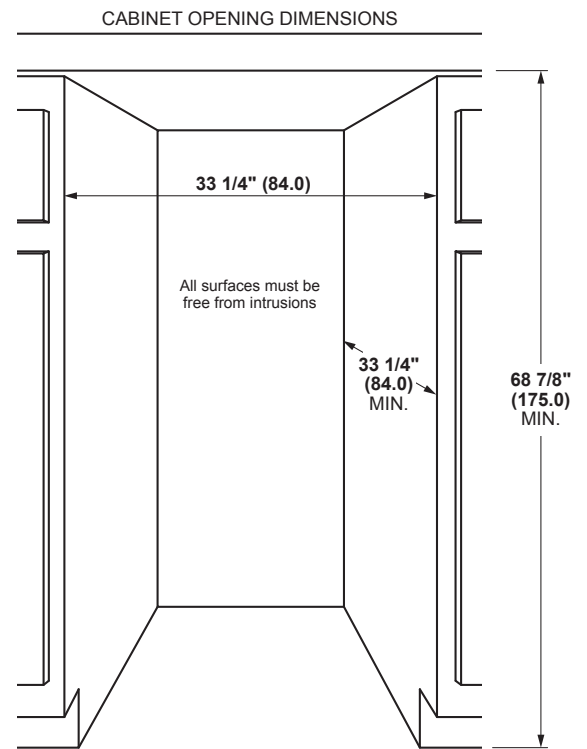
Power/Ratings

Electrical Rating	115V, 60Hz
Energy Use	473kWh

Product Technical Illustration



Overall Packaging Details		
Packaging		lb./in.
Gross Weight		223 lbs.
Dimensions	W	33.40"
	D	33.60"
	H	69.10"



General Appliance Information

Please read all installation details and instructions before use.

Contact Us

For questions regarding this product please refer to our website at haieramerica.com or call our customer service center at 877-337-3639.

