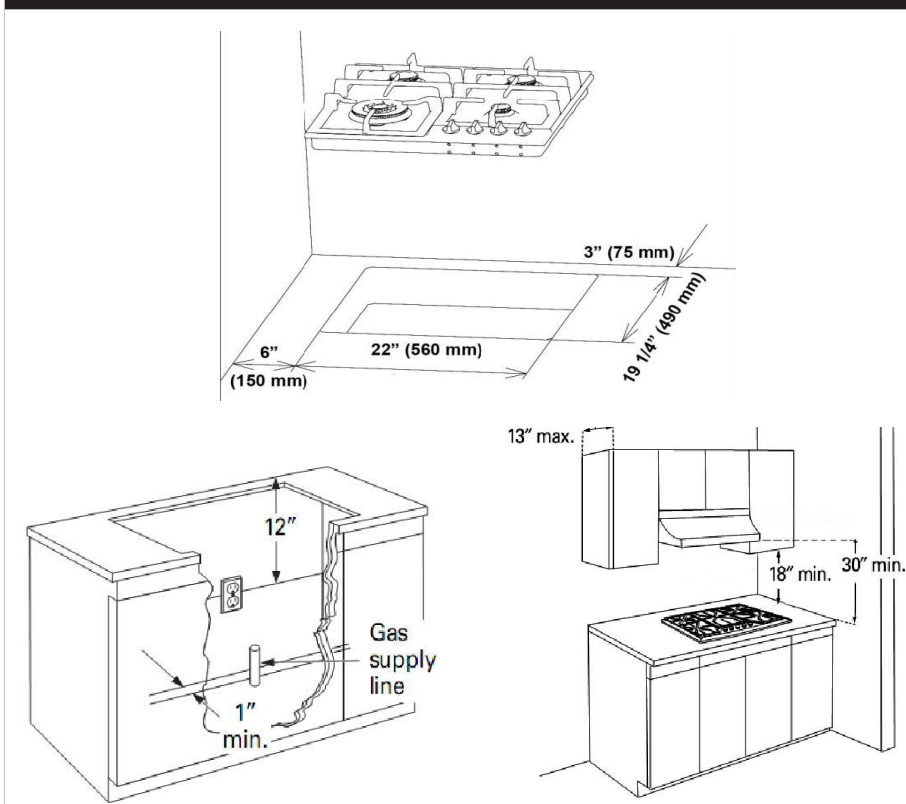


Cutout Dimension		in.
Cutout Width		22"
Cutout Depth		19 1/4"
Distance from front of cabinet to cooktop		Min. 18"
Distance from front of cabinet to ventilation		Min. 30"
Overall Packaging Details		
Packaging		lb./in.
Gross Weight		31 lb.
Dimensions	W	25.39"
	D	22.64"
	H	6.50"
Power Requirements		
Electrical Rating		120V, 60Hz
Max Power (BTU/h)		31,300 (BTU/h)

### Product Technical Illustration



### General Appliance Information

Please read all installation details and instructions before use.

### Contact Us

For questions regarding this product please refer to our website at [haieramerica.com](http://haieramerica.com) or call our customer service center at 877-337-3639.

