

24" 2.0 Cubic Foot Dual Fuel Freestanding Range

HCR2250ADS



Available

Unit Specifications

Width	23.62"
Depth	25"
Height	35.43 "
Weight	115 lb.
UPC	688057374093

More Easy-To-Use Features

- Stainless Steel Sides
- Electronic Control
- Digital Clock with Automatic Cut-off Timer
- One Rapid Burner
- Conversion Kit Included
- Removable Interior Glass Door
- 1,360W Concealed Bake Element
- 2,450W Broil Element
- Seven Heating Methods: Defrost, Convection Bake, Convection Broil, High Broil, Low Broil, Pizza, Bake
- Baking Tray Included
- Wok Ring Included
- Back Guard Included

Signature Features

True European Convection

Includes a rear fan and a third 1,960-watt heating element to distribute hot air throughout the oven for faster, more even baking

Triple Ring Burner

Delivers intense heat for high output cooking performance

Heavy Duty Continuous Cast Iron Grates

Allow easy movement of cookware while Providing even heat distribution with better heat retention

Halogen Interior Lighting

Distributes bright, clear light throughout the oven

Warranty

- 2 Year Warranty (Parts and Labor)

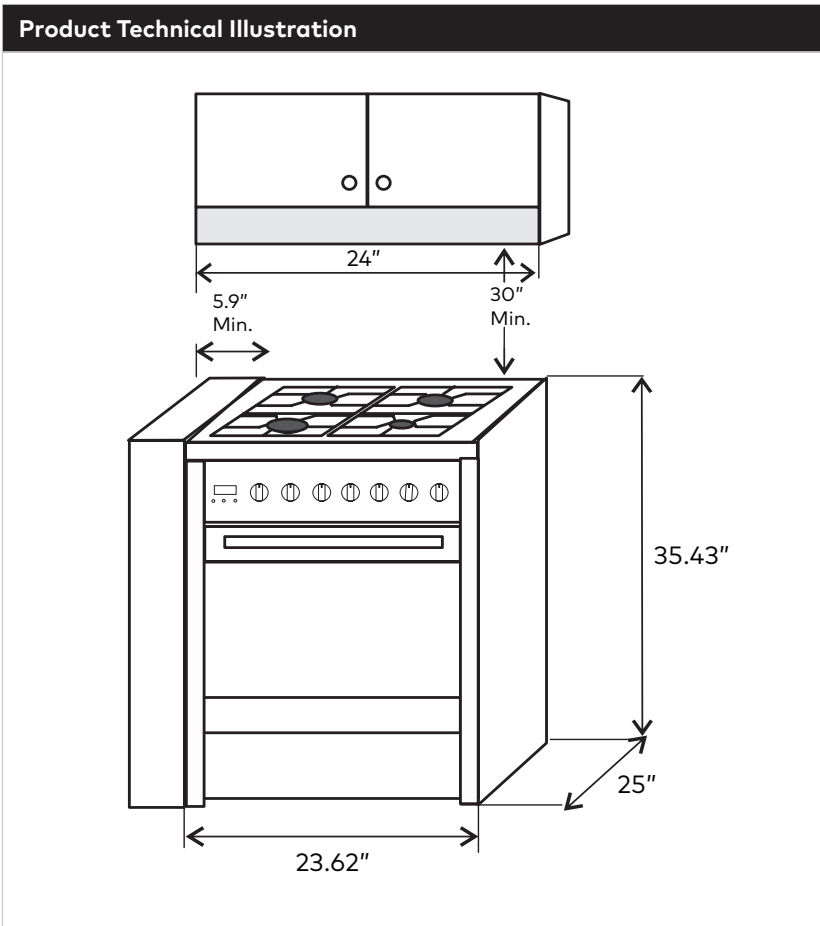
Available Finishes



Stainless Steel

Overall Packaging Details	
Packaging	lb./in.
Gross Weight	133 lb.
Dimensions	W 25.15"
	D 27.51"
	H 36.94"

Power Requirements	
Electrical Rating	208/240V, 60Hz



* Leveling legs included in accessory package inside a separate box.

General Appliance Information

Please read all installation details and instructions before use.

Contact Us

For questions regarding this product please refer to our website at haieramerica.com or call our customer service center at 877-337-3639.

