

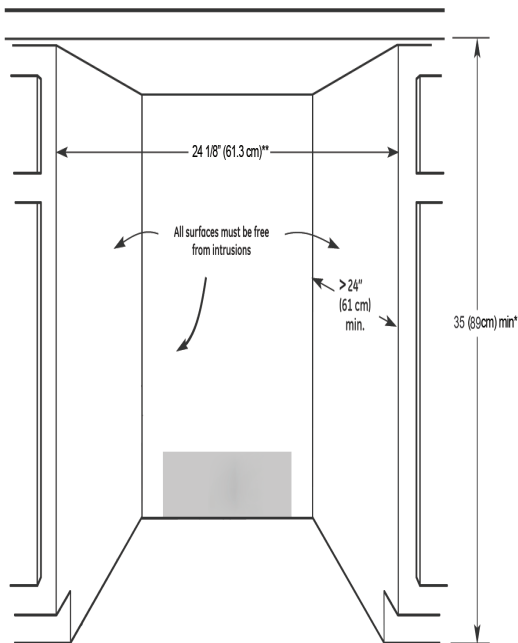
Haier® Under Counter Wine Cellar

PRODUCT MODEL NUMBERS

WC200GS BC100GS
 HVCE15BBH HVCE15DBH HVC15BBH
 HVCE24CBH HVCE24DBH HVC24CBH

Electrical: A 115 Volt, 60Hz., AC only 15 amp fuse, grounded electrical supply is required. It is recommended that a separate circuit serving only your refrigerator be provided. Use an outlet that cannot be turned off by switch. Do not use an extension cord.

CABINET OPENING DIMENSIONS

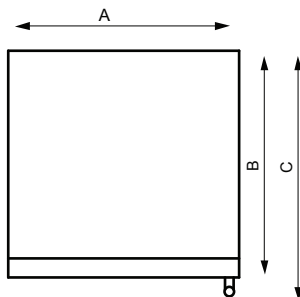


Shaded area of cabinet is suggested for power supply cord

NOTE: Flooring under refrigerator must be at same level as the room. Face of cabinetry must be plumb.

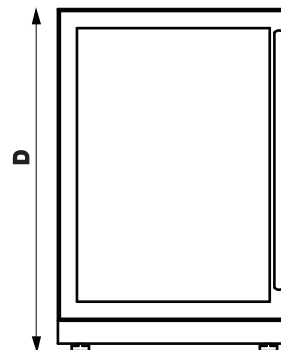
OVERALL DIMENSIONS

TOP VIEW

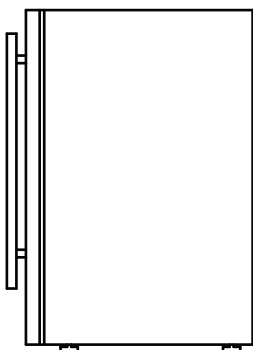


Height dimensions are shown with the leveling legs retracted all the way. The power cord is 74 13/16" (190 cm) long.

FRONT VIEW

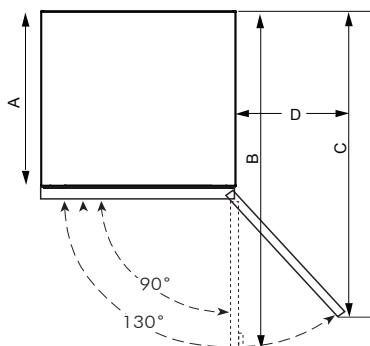


SIDE VIEW



MODEL	A	B	C	D
BC100GS	23 7/8" (606mm)	23 7/16" (595mm)	25 3/8" (645mm)	34 9/16" (878mm)
WC200GS	23 7/8" (606mm)	23 7/16" (595mm)	25 3/8" (645mm)	34 9/16" (878mm)
HVCE15BBH HVCE15DBH HVC15BBH	14 15/16" (380mm)	22 15/16" (582mm)	24 7/8" (632mm)	34 9/16" (878mm)
HVCE24CBH HVCE24DBH HVC24CBH	23 7/8" (606mm)	23 13/16" (605mm)	25 13/16" (655mm)	34 9/16" (878mm)

DOOR SWING DIMENSIONS



MODEL	A	B	C	D
BC100GS	21 7/16" (545mm)	46 3/8" (1178mm)	46 1/2" (1080mm)	13 9/16" (345mm)
WC200GS	21 7/16" (545mm)	46 3/8" (1178mm)	46 1/2" (1080mm)	13 9/16" (345mm)
HVCE15BBH HVCE15DBH HVC15BBH	21 5/16" (542mm)	36 5/16" (922mm)	32 5/16" (821mm)	11 1/8" (282mm)
HVCE24CBH HVCE24DBH HVC24CBH	22 1/4" (566mm)	47 3/16" (1198mm)	43 5/16" (1100mm)	13 9/16" (345mm)

*When leveling legs are fully extended to 5/8" (15 mm), add 5/8" (15 mm) to the height dimensions. The height dimensions not include the upper hinge cover's height, if need it add 1/8" (3 mm) to the height dimensions, since before installation should remove the upper hinge cover.