

16/20kW

CENTURION® SERIES Residential Standby Generators Air-Cooled Gas Engine

INCLUDES:

- True Power™ Electrical Technology
- Two Line LCD Multi-Lingual Digital Evolution™ Controller (English/Spanish/French/Portuguese)
- Two Transfer Switch Options Available:
100 Amp Pre-Wired Switch or
200 Amp Smart Switch.
See Page 4 for Details.
- Electronic Governor
- External Main Circuit Breaker,
System Status & Maintenance
Interval LED Indicators
- Sound Attenuated Enclosure
- Flexible Fuel Line Connector
- Composite Mounting Pad
- Natural Gas or LP Gas Operation
- 5 Year Limited Warranty
- UL 2200 Listed

Standby Power Rating

Models 006256-0 (Steel - Gray) - 16 kW 60Hz
Models 006257-0 (Aluminum - Gray) - 16 kW 60Hz
Models 006258-0 (Aluminum - Gray) - 20 kW 60Hz



*Note: CUL certification only applies to unbundled units and units packaged with pre-wired switches. Units packaged with the Smart Switch are UL certified in the USA only.

FEATURES

- **INNOVATIVE DESIGN & PROTOTYPE TESTING** are key components of GENERAC'S success in "IMPROVING POWER BY DESIGN." But it doesn't stop there. Total commitment to component testing, reliability testing, environmental testing, destruction and life testing, plus testing to applicable CSA, NEMA, EGSA, and other standards, allows you to choose GENERAC POWER SYSTEMS with the confidence that these systems will provide superior performance.
- **TRUE POWER™ ELECTRICAL TECHNOLOGY:** Superior harmonics and sine wave form produce less than 5% Total Harmonic Distortion for utility quality power. This allows confident operation of sensitive electronic equipment and micro-chip based appliances, such as variable speed HVAC systems.
- **TEST CRITERIA:**
 - ✓ PROTOTYPE TESTED
 - ✓ SYSTEM TORSIONAL TESTED
 - ✓ NEMA MG1-22 EVALUATION
 - ✓ MOTOR STARTING ABILITY
- **SOLID-STATE, FREQUENCY COMPENSATED VOLTAGE REGULATION.** This state-of-the-art power maximizing regulation system is standard on all Generac models. It provides optimized FAST RESPONSE to changing load conditions and MAXIMUM MOTOR STARTING CAPABILITY by electronically torque-matching the surge loads to the engine. Digital voltage regulation at ±1%.
- **SINGLE SOURCE SERVICE RESPONSE** from Generac's extensive dealer network provides parts and service know-how for the entire unit, from the engine to the smallest electronic component.
- **GENERAC® TRANSFER SWITCHES.** Long life and reliability are synonymous with GENERAC POWER SYSTEMS. One reason for this confidence is that the GENERAC product line includes its own transfer systems and controls for total system compatibility.

16/20kW

Engine

- Generac (OHVI) design
Maximizes engine “breathing” for increased fuel efficiency. Plateau honed cylinder walls and plasma moly rings helps the engine run cooler, reducing oil consumption resulting in longer engine life.
- “Spiny-lok” cast iron cylinder walls
Rigid construction and added durability provide long engine life.
- Electronic ignition/spark advance
These features combine to assure smooth, quick starting every time.
- Full pressure lubrication system
Pressurized lubrication to all vital bearings means better performance, less maintenance and longer engine life. Now featuring up to a 2 year/200 hour oil change interval.
- Low oil pressure shutdown system
Superior shutdown protection prevents catastrophic engine damage due to low oil.
- High temperature shutdown
Prevents damage due to overheating.

Generator

- Revolving field
Allows for a smaller, light weight unit that operates 25% more efficiently than a revolving armature generator.
- Skewed stator
Produces a smooth output waveform for compatibility with electronic equipment.
- Displaced phase excitation
Maximizes motor starting capability.
- Automatic voltage regulation
Regulates the output voltage to $\pm 1\%$ prevents damaging voltage spikes.
- UL 2200 listed
For your safety.

Transfer Switch

- Fully automatic
Transfers your vital electrical loads to the energized source of power.
- Pre-wired, color-coded conduits (Pre-wired switches only)
Ensures the easiest, trouble-free installation.
- DPM Technology (Smart Switch only)
Digital Power Management Technology allows for the smart control of two air conditioners without any additional items.
- Remote mounting
Mounts near your existing distribution panel for simple, low-cost

Evolution™ Controls

- Auto/Manual/Off illuminated buttons
Selects the operating mode and provides easy, at-a-glance status indication in any condition.
- Sealed, raised buttons
Smooth, weather-resistant user interface for programming and operations.
- Utility voltage sensing
Constantly monitors utility voltage, setpoints 60% dropout, 80% pick-up, of standard voltage.
- Generator voltage sensing
Constantly monitors generator voltage to ensure the cleanest power delivered to the home.
- Utility interrupt delay
Prevents nuisance start-ups of the engine, adjustable 2-1500 seconds from the factory default setting of 10 seconds by a qualified dealer.
- Engine warm-up
Ensures engine is ready to assume the load, setpoint approximately 5 seconds.
- Engine cool-down
Allows engine to cool prior to shutdown, setpoint approximately 1 minute.
- Programmable seven day exerciser
Operates engine to prevent oil seal drying and damage between power outages by running the generator for 12 minutes every week.
- Smart battery charger
Delivers charge to the battery only when needed at varying rates depending on outdoor air temperature.
- Main line circuit breaker
Protects generator from overload.
- Electronic governor
Maintains constant 60 Hz frequency.

Unit

- Weather protective enclosure
Ensures protection against mother nature. Hinged key locking roof panel for security. Lift-out front for easy access to all routine maintenance items. Electrostatically applied textured epoxy paint for added durability.
- Enclosed critical grade muffler
Quiet, critical grade muffler is mounted inside the unit to prevent injuries.
- Small, compact, attractive
Makes for an easy, eye appealing installation.
- SAE
Sound attenuated enclosure ensures quiet operation.

Installation System

- 1' flexible fuel line connector
Easy installation.
- Composite mounting pad

16/20kW

Generator

| Model | 006256-0, 006257-0-0 (16 kW) | 006258-0 (20kW) |
|---|---|-----------------|
| Rated Maximum Continuous Power Capacity (LP) | 16,000 Watts* | 20,000 Watts* |
| Rated Maximum Continuous Power Capacity (NG) | 16,000 Watts* | 18,000 Watts* |
| Rated Voltage | 240 | 240 |
| Rated Maximum Continuous Load Current – 240 Volts (LP/NG) | 66.6/66.6 | 83.3/75 |
| Total Harmonic Distortion | Less than 5% | Less than 5% |
| Main Line Circuit Breaker | 65 Amp | 90 Amp |
| Phase | 1 | 1 |
| Number of Rotor Poles | 2 | 2 |
| Rated AC Frequency | 60Hz | 60Hz |
| Power Factor | 1.0 | 1.0 |
| Battery Requirement (not included) | Group 26R, 12 Volts and 525 CCA Minimum | |
| Unit Weight (Pounds/Kilos) | 471/213.6 (Steel); 437/198.2 (Aluminum) | 451/204.6 |
| Dimensions (L x W x H) in./mm | 48 x 25 x 29 / 1218 x 638 x 732 | |
| Sound output in dB(A) at 23 ft. with generator operating at normal load | 66 | 66 |
| Sound output in dB(A) at 23 ft. with generator in Quiet-Test™ low-speed exercise mode | 60 | 60 |

Engine

| | GENERAC OHVI V-TWIN | GENERAC OHVI V-TWIN |
|--|-----------------------------|-----------------------------|
| Type of Engine | GENERAC OHVI V-TWIN | GENERAC OHVI V-TWIN |
| Number of Cylinders | 2 | 2 |
| Displacement | 992cc | 999cc |
| Cylinder Block | Aluminum w/Cast Iron Sleeve | Aluminum w/Cast Iron Sleeve |
| Valve Arrangement | Overhead Valve | Overhead Valve |
| Ignition System | Solid-state w/Magneto | Solid-state w/Magneto |
| Governor System | Electronic | Electronic |
| Compression Ratio | 9.5:1 | 9.5:1 |
| Starter | 12 Vdc | 12 Vdc |
| Oil Capacity Including Filter | Approx. 1.9 Qts./1.8L | Approx. 1.9 Qts./1.8L |
| Operating RPM | 3,600 | 3,600 |
| Fuel Consumption | | |
| Natural Gas | | |
| ft ³ /hr. | | |
| 1/2 Load | 190.5 | 201.8 |
| Full Load | 307.9 | 303.4 |
| Liquid Propane | | |
| ft ³ /hr (gal/hr) [Liters/hr] | | |
| 1/2 Load | 68.7 (1.96) [7.1] | 75.0 (2.14) [7.8] |
| Full Load | 115.4 (3.30) [12.0] | 139.5 (3.99) [14.5] |

Note: **Fuel pipe must be sized for full load.** Required fuel pressure to generator fuel inlet at all load ranges - 3.5 to 7 inches of water column for natural gas, 10 to 12 inches of water column for LP gas. For Btu content, multiply ft³/hr x 2520 (LP) or ft³/hr x 1000 (NG)

Controls

| | |
|---|--|
| 2-Line Plain Text Multi-Lingual LCD Display | Simple user interface for ease of operation. |
| Mode Buttons: | Automatic Start on Utility failure. 7 day exerciser. |
| Auto | Start with starter control, unit stays on. If utility fails, transfer to load takes place. |
| Manual | Starts unit. Power is removed. Control and charger still operate. |
| Off | |
| Ready to Run/Maintenance Messages | Standard |
| Engine Run Hours Indication | Standard |
| Programmable start delay between 2-1500 seconds | Standard (programmable by dealer only) |
| Utility Voltage Loss/Return to Utility Adjustable | From 140-171V/190-216V |
| Future Set Capable Exerciser/Exercise Set Error Warning | Standard |
| Run/Alarm/Maintenance Logs | 50 Events Each |
| Engine Start Sequence | Cyclic cranking: 16 sec. on, 7 rest (90 sec. maximum duration). |
| Starter Lock-out | Starter cannot re-engage until 5 sec. after engine has stopped. |
| Smart Battery Charger | Standard |
| Charger Fault/Missing AC Warning | Standard |
| Low Battery/Battery Problem Protection and Battery Condition Indication | Standard |
| Automatic Voltage Regulation with Over and Under Voltage Protection | Standard |
| Under-Frequency/Overload/Stepper Overcurrent Protection | Standard |
| Safety Fused/Fuse Problem Protection | Standard |
| Automatic Low Oil Pressure/High Oil Temperature Shutdown | Standard |
| Overcrank/Overspeed (@ 72Hz)/RPM Sense Loss Shutdown | Standard |
| High Engine Temperature Shutdown | Standard |
| Internal Fault/Incorrect Wiring Protection | Standard |
| Common External Fault Capability | Standard |
| Field Upgradable Firmware | Standard |

Rating definitions - Standby: Applicable for supplying emergency power for the duration of the utility power outage. No overload capability is available for this rating. (All ratings in accordance with BS5514, ISO3046 and DIN6271). * Maximum wattage and current are subject to and limited by such factors as fuel Btu content, ambient temperature, altitude, engine power and condition, etc. Maximum power decreases about 3.5 percent for each 1,000 feet above sea level; and also will decrease about 1 percent for each 6° C (10° F) above 16° C (60° F). Sound output ratings from certain points on the generator subject to change based on installation parameters.

16/20kW

Pre-Wired Features

available on 16kW model only

- Electrically operated, mechanically-held contacts for fast, positive connections.
- Rated for all classes of load, 100% equipment rated, both inductive and resistive.
- 2 pole, 250 VAC contactors.
- 30 millisecond transfer time.
- Dual coil design.
- Main contacts are silver plated or silver alloy to resist welding and sticking.
- NEMA 1 (indoor rated) enclosure is standard on the 100 amp switch.
- Pre-wired 30 foot (9.1 meter) whip to connect to the provided 5 foot pre-wired whip and external connection box.
- Pre-wired 2 foot (0.61 meter) whip, color coded to connect into the existing electrical panel.

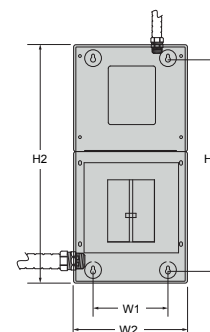
| Model | 006256-0 (16kW) |
|---|-----------------|
| No. of Poles | 2 |
| Current Rating (Amps) | 100 |
| Voltage Rating (VAC) | 120/240, 1Ø |
| Utility Voltage Monitor (Fixed)* | |
| -Pick-up | 80% |
| -Dropout | 60% |
| Return to Utility* | approx. 15 sec. |
| Exerciser weekly for 12 minutes* | Standard |
| UL Listed | Standard |
| Total of Pre-wired Circuits | 16 |
| No. 15A 120V | 5 |
| No. 20A 120V | 5 |
| No. 20A 240V | 1 |
| No. 30A 240V | - |
| No. 40A 240V | 1 |
| No. 50A 240V | 1 |
| Circuit Breaker Protected | |
| Available RMS Symmetrical Fault Current @ 250 Volts | 10,000 |

*Function of Evolution Controller

Dimensions

| Mechanical Dimensions | | | | | |
|-----------------------|---------|---------|--------|---------|-------|
| Amps | Height | | Width | | Depth |
| | H1 | H2 | W1 | W2 | |
| 100 | 23.5 in | 26.4 in | 8.3 in | 12.6 in | 6.3 |
| | 597mm | 671.7mm | 211mm | 320.7mm | |

| Wire Ranges | | | |
|-------------|---------------|-------------|------------|
| Amps | Conductor Lug | Neutral Lug | Ground Lug |
| 100 | 2/0 - #14 | 2/0 - #14 | 2/0 - #14 |



Smart Switch Features

- Includes Digital Power Management Technology standard (DPM).
- Intelligently manages two air conditioner loads with no additional hardware.
- Up to four more large (240V) loads can be managed when used in conjunction with Power Management Modules (PMM**).
- Electrically operated, mechanically-held contacts for fast, clean connections.
- Rated for all classes of load, 100% equipment rated, both inductive and resistive.
- 2 pole, 250 VAC contactors.
- Service equipment rated, dual coil design.
- Rated for both aluminum and copper conductors.
- NEMA/UL 3R aluminum outdoor enclosure.
- Main contacts are silver plated or silver alloy to resist welding and sticking.

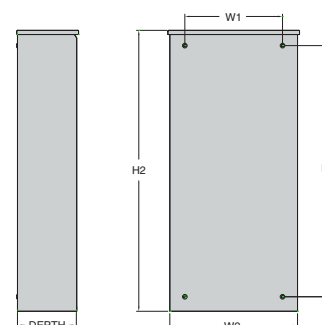
**Note: PMM starter kit is required prior to using the modules.

Dimensions

| | 200 Amps 120/240, 1Ø Open Transition Service Rated | | | | |
|--------|---|-------|-------|-------|-------|
| | Height | | Width | | Depth |
| | H1 | H2 | W1 | W2 | |
| Inches | 27.24 | 30.0 | 11.4 | 13.5 | 7.09 |
| mm | 692.0 | 762.4 | 289.0 | 343.0 | 180.0 |

| Model | 006257-0 (16kW)/006258-0 (20kW) |
|----------------------------------|---------------------------------|
| No. of Poles | 2 |
| Current Rating (Amps) | 200 |
| Voltage Rating (VAC) | 120/240, 1Ø |
| Utility Voltage Monitor (Fixed)* | |
| -Pick-up | 80% |
| -Dropout | 60% |
| Return to Utility* | approx. 13 sec. |
| Exerciser weekly for 12 minutes* | Standard |
| UL Listed | Standard |
| Enclosure Type | NEMA/UL 3R |
| Withstand Rating (Amps) | 10,000 |
| Lug Range | 250MCM - #6 |

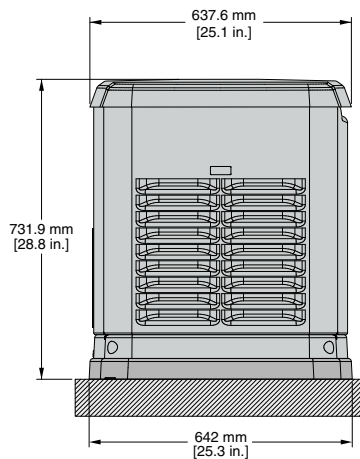
*Function of Evolution Controller



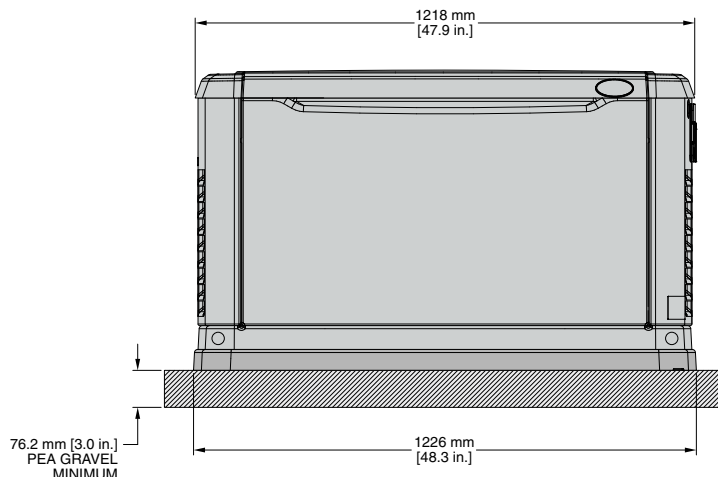
| Model # | Product | Description |
|----------------------------|---|---|
| 5819 | 26R Wet Cell Battery | Every standby generator requires a battery to start the system. Generac offers the recommended 26R wet cell battery for use with all air-cooled standby product. |
| 6212 | Cold Weather Kit | If the temperature regularly falls below 32°F (0°C), install a cold weather kit to maintain optimal battery and oil temperatures. Kit consists of a battery warmer and oil filter heater with built-in thermostats. |
| 5621 | Auxiliary Transfer Switch Contact Kit | The auxiliary transfer switch contact kit allows the transfer switch to lock out a single large electrical load you may not need. Not compatible with 50 amp pre-wired switches. |
| 5666 | Fascia Base Wrap Kit (Standard on 20kW) | The fascia base wrap snaps together around the bottom of the new air cooled generators. This offers a sleek, contoured appearance as well as offering protection from rodents and insects by covering the lifting holes located in the base. |
| 5704 | Paint Kit | If the generator enclosure is scratched or damaged, it is important to touch-up the paint to protect from future corrosion. The paint kit includes the necessary paint to properly maintain or touch-up a generator enclosure. |
| 6484 - 16kW 6485 - 20kW | Scheduled Maintenance Kit | Generac's scheduled maintenance kits provide all the hardware necessary to perform complete routine maintenance on a Generac automatic standby generator. |
| 5928 | Wireless Remote | Completely wireless and battery powered, Generac's wireless remote monitor provides you with instant status information without ever leaving the house. Not compatible with Centurion™ ES systems. |
| 5951 | Advanced Wireless Remote | Remotely control generator functions with the advanced model's LCD display. In addition to remote testing of the generator, set the exercise cycle and maintenance interval reminders. Not compatible with Centurion ES systems. |
| 6199 | PMM Starter Kit | The PMM Starter Kit consists of a 24V, field installed transformer that enables the use of the 24V Power Management Modules (PMMs). This kit includes one PMM. The standard controller (without starter kit) can control two HVAC loads with no additional hardware. |
| 6186 | Power Management Module (50 Amps) | Power Management Modules are used in conjunction with the Smart Switch to increase its power management capabilities. It gives the Smart Switch additional power management flexibility not found in any other transfer switch. Not compatible with pre-wired switches. |
| 6463 | Mobile Link™ Device | Generac's Mobile Link device allows you to check the status of your generator from anywhere that you have access to an Internet connection from a PC or with any smart device. You will even be notified when a change in the generator's status occurs via e-mail or text message. |

dimensions

Dimensions shown are approximate. Contact your Generac dealer for certified drawings. DO NOT USE THESE DIMENSIONS FOR INSTALLATION PURPOSES.



LEFT SIDE VIEW



FRONT VIEW