

XT8000E

GENERAC®

XT SERIES Commercial/Residential Portable Generators

XT8000E

1 of 2

Features

- **The Generac OHV engine** with splash lubrication provides a long engine life.
- **Idle Control** reduces noise and conserves fuel for extended run-times.
- **Low-oil level shutdown** automatically safeguards engine from damage.
- **PowerBar™** easily monitors power usage.
- **Hour meter** tracks usage and monitors maintenance cycles.
- **Large-capacity steel fuel tank** with incorporated fuel gauge provides durability and extended run times.
- **Covered outlets** provides added protection from the environment and rugged working conditions.
- **Full-wrap, heavy-duty, 1 1/4" steel tube cradle** for added durability and strength.
- **All-terrain, never flat wheels and fold-down locking handle** for reliable portability and compact storage.
- **Single touch electric start** provides hassle-free start-up, battery included. On-control panel plug-in battery charger jack keeps battery charged.
- **20ft cord included.** Use the four outlet cord to plug in more.
- **Controlguard™** provides added protection to the control panel.
- **First oil and maintenance kit included.**

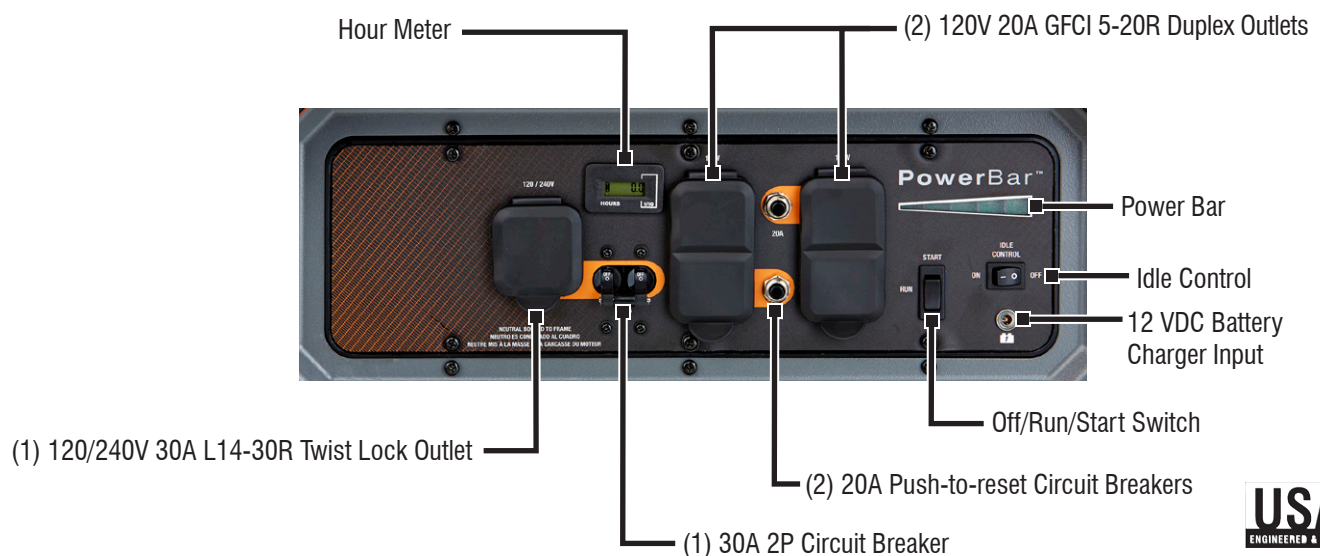
Model 6433-0 UPC: 696471064339
(EPA/49-State/CSA-Canada)

Model 6434-0 UPC 696471064346
(EPA/CARB-California)



AC Rated Output Running Watts 8000
AC Maximum Output Starting Watts 10000

49-State/CSA Control Panel



XT8000E

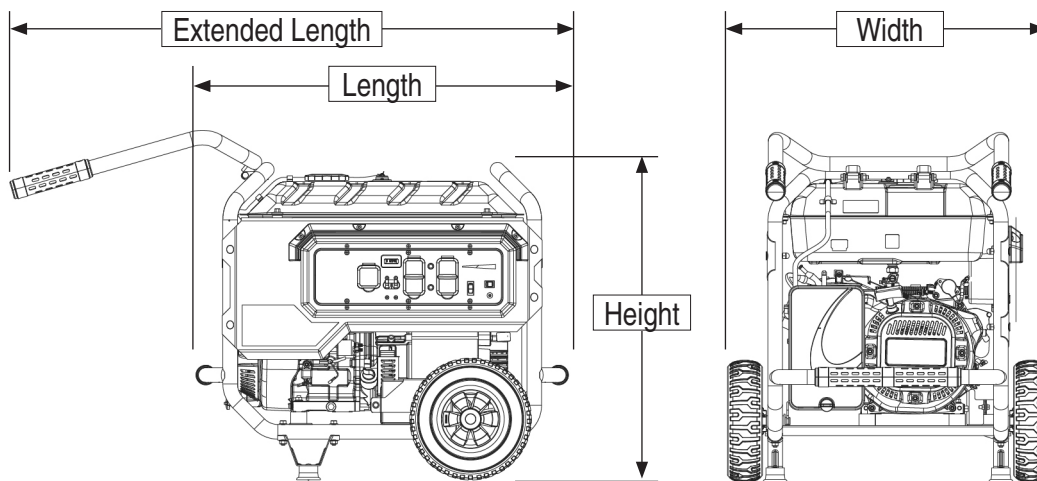
Specifications

Product Series	XT8000E
Model (Configuration)	6433-0 (EPA/49-State/CSA-Canada) 6434-0 (EPA/CARB-California)
AC Rated Output Running Watts	8000
AC Maximum Output Starting Watts	10000
Rated AC Voltage	120/240 VAC
Rated AC Frequency	60 Hz
Rated 120/240 VAC Amperage	66.6/33.3
Max 120/240 VAC Amperage	83.3/41.6
Engine Displacement	420cc
Engine Type	OHV
Engine RPM	3600
Recommended Oil	10W-30 / SAE 30
Lubrication Method	Splash
Automatic Voltage Regulation (AVR)	Yes
Choke Location	On Engine
Fuel Shut Off	Under Fuel Tank
Starting Method	Electric/Recoil Pull Start
Battery	Yes
Battery Type	12 VDC 10AH
Battery Wall Charger Adapter	Included
Low Oil Shutdown	Low Level
Neutral Bonded to Ground	Yes

Start Switch Type	Off/Run/Start
Switch Location	On Control Panel
Fuel Gauge	Built-in Tank
Fuel Tank Capacity Gal (Ltrs)	7.5 (28.4)
Run Time at 50% (Hours)	11
Handle Style	Single Folding
Wheel Type	10" (254 mm) Solid Wheels
Maintenance Kit	Included
Warranty- Residential	2 Year
Warranty- Commercial	1 Year

Dimensions and Weights

Length in (mm)	32.7 (830)
Width in (mm)	27.6 (700)
Height in (mm)	27.7 (703)
Extended Length in (mm)	47.7 (1212)
Carton Length in (mm)	32.4 (822)
Carton Width in (mm)	21.35 (542)
Carton Height in (mm)	28.6 (726)
Unit Weight lbs (kg)	207 (94.1)
Shipping Weight lbs (kg)	229.5 (104.3)



Generac Power Systems, Inc. • P.O. Box 8, Waukesha, WI 53187 • generac.com

©2013 Generac Power Systems, Inc. All rights reserved. All specifications are subject to change without notice. Bulletin 0K4994-A / Printed in U.S.A. 08/19/13