

RS5500

RS SERIES Commercial/Residential Portable Generators

Features

- **PowerDial™** integrates the start, run and stop functions into one simple-to-use dial, conveniently located for quicker startup and shut-down, eliminating the search for separate controls in an emergency
- **Generac's 389cc OHV engine** with splash lubrication provides a long engine life
- **Low-oil shutdown** automatically safeguards engine from damage
- **Covered outlets** provide added protection from the environment and rugged working conditions
- **Hour Meter** tracks maintenance intervals.
- **1-¼ inch hardened steel tube cradle** for added durability and strength
- **Fold-down, locking handle** for sturdy portability and compact storage.
- **Large-capacity fuel tank** with incorporated fuel gauge provides durability and extended run times
- **Heavy-duty, never-flat wheels** for reliable portability

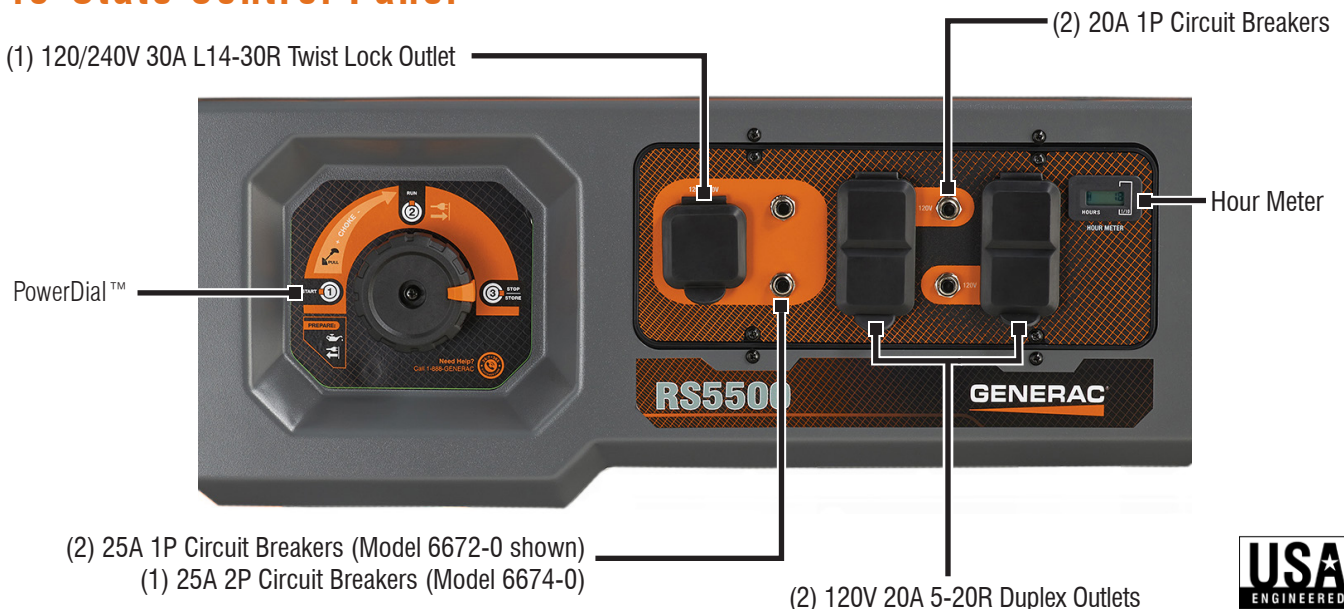
Model 6672-0 UPC: 696471066722 (49ST)

Model 6674-0 UPC: 696471066746 (49ST/Canada)



AC Rated Output Running Watts 5500
AC Maximum Output Starting Watts 6875

49-State Control Panel



RS5500

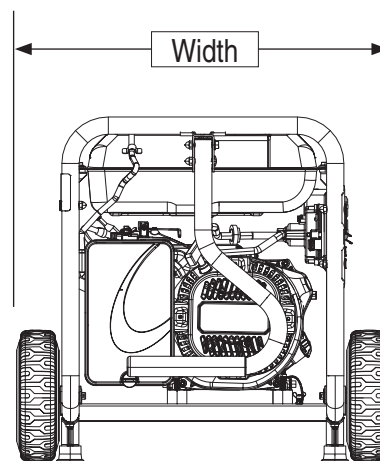
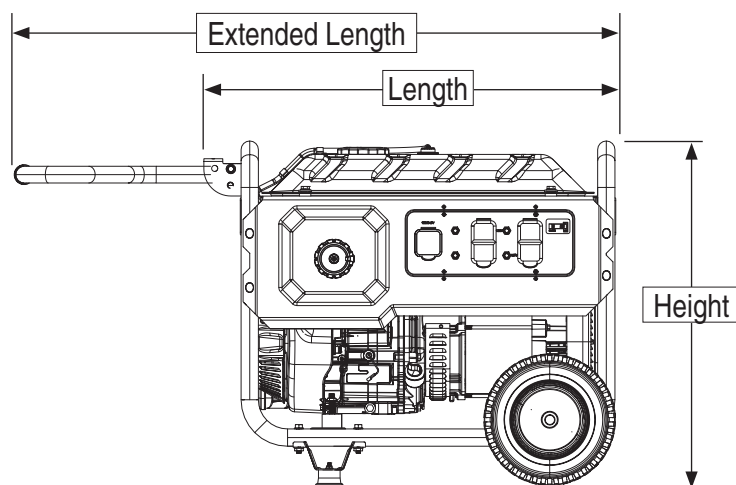
specifications

Product Series	RS5500
Model (Configuration)	6672-0 (EPA) 6674-0 (CSA)
AC Rated Output Running Watts:	5500
AC Maximum Output Motor Starting Watts:	6875
AC Voltage	120/240 VAC
AC Frequency	60 Hz
Rated VAC Amperage	45.8/22.9
Engine Displacement	389cc
Engine Type	OHV
Engine RPM	3600
Recommended Oil	10W-30 / SAE30
Lubrication Method	Splash
Automatic Voltage Regulation (AVR)	Yes
Choke Location	PowerDial™
Fuel Shut Off	PowerDial™
Starting Method	Recoil Pull Start
Low Oil Shutdown Method	Low Level
Neutral Bonded to Ground	Yes

Start Switch Type	PowerDial™
Switch Location	PowerDial™
Fuel Gauge	Built-In Tank
Fuel Tank Capacity Gal (Ltr)	6.7 (25.6)
Run Time at 50% (Hours)	11
Handle Style	Single Folding / Locking
Wheel Type	9.5" Solid Wheels
Maintenance Kit	Sold Separately
Warranty - Residential	2 Year Ltd
Warranty - Commercial	1 Year Ltd

Dimensions and Weights

	Models 6672-0 / 6674-0
Length in (mm)	27.25 (692)
Width in (mm)	27 (687)
Height in (mm)	25 (638)
Extended Length in (mm)	44.5 (1129)
Carton Length in (mm)	31 (790)
Carton Width in (mm)	21.5 (550)
Carton Height in (mm)	23.25 (590)
Unit Weight lbs (kg)	171.8 (77.8)
Shipping Weight lbs (kg)	194.2 (88.1)



GENERAC®

Generac Power Systems, Inc. • P.O. Box 8, Waukesha, WI 53187 • generac.com

©2014 Generac Power Systems, Inc. All rights reserved. All specifications are subject to change without notice. Bulletin OK8512-B / Printed in U.S.A. 05/21/14