

HOMELINK™ 6500E

HOMELINK™ SERIES Residential Portable Generator & Upgradeable Manual Transfer Switch EPA 49 State / CSA

Features

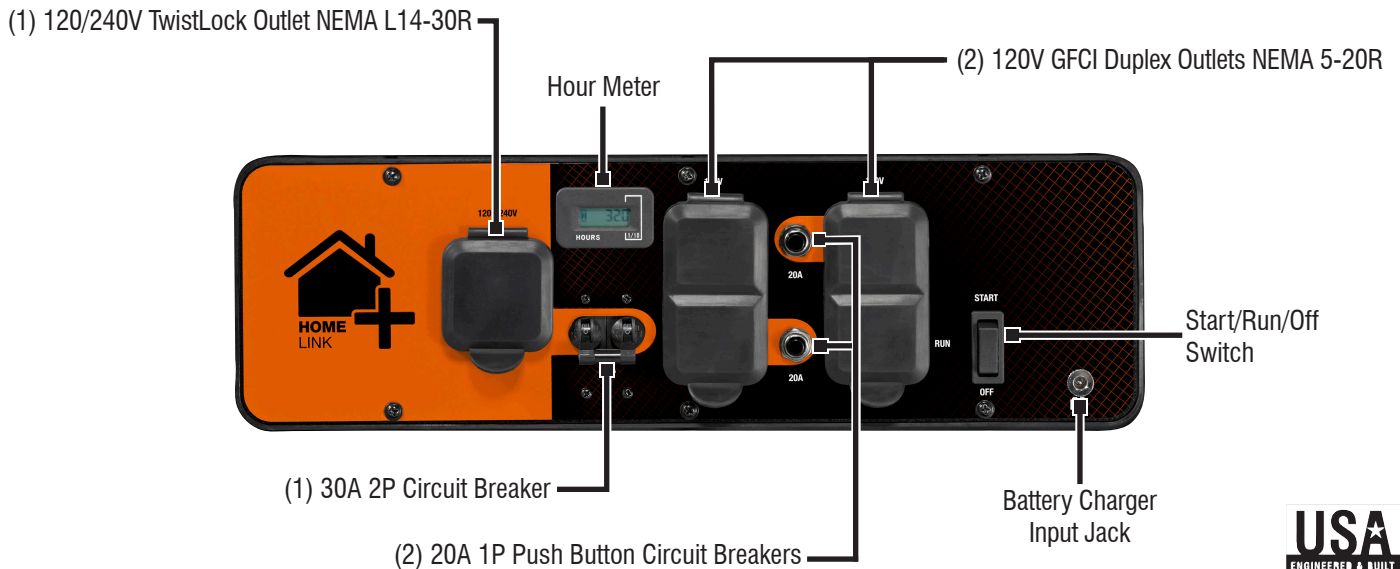
- **Upgradeable** - Use the HomeLink™ switch with the HomeLink™ portable generator today and upgrade to use with a Generac Home Standby Generator later.
- **Powers Hard-Wired Circuits** safely and easily delivers power to hard-wired appliances such as your furnace, well pump and lights.
- **TruePower™ Technology** provides less than 5% total harmonic distortion for clean, smooth operation of sensitive electronics, tools, and appliances.
- **The Generac OHV engine** with splash lubrication provides a long engine life.
- **Single touch electric start**, battery included, provides hassle-free start-up.
- **Hour Meter** tracks maintenance intervals.
- **Large-capacity steel fuel tank** with incorporated fuel gauge provides durability and extended run times.
- **Low-oil level shutdown** automatically safeguards engine from damage.
- **Covered outlets** provides added protection from the environment and rugged working conditions.
- **Hardened 1 1/4" steel tube cradle** for added durability and strength.
- **Fold-down, locking handle** for sturdy portability and compact storage.
- **Heavy-duty, never flat wheels** for reliable portability.
- **Plug-in battery charger jack** keeps battery charged and ready to go.

Model 6865-0 UPC: 696471068658 (49ST/CSA)



AC Rated Output Running Watts 6500
AC Maximum Output Starting Watts 8125

Control Panel (49 State/CSA)



6500E

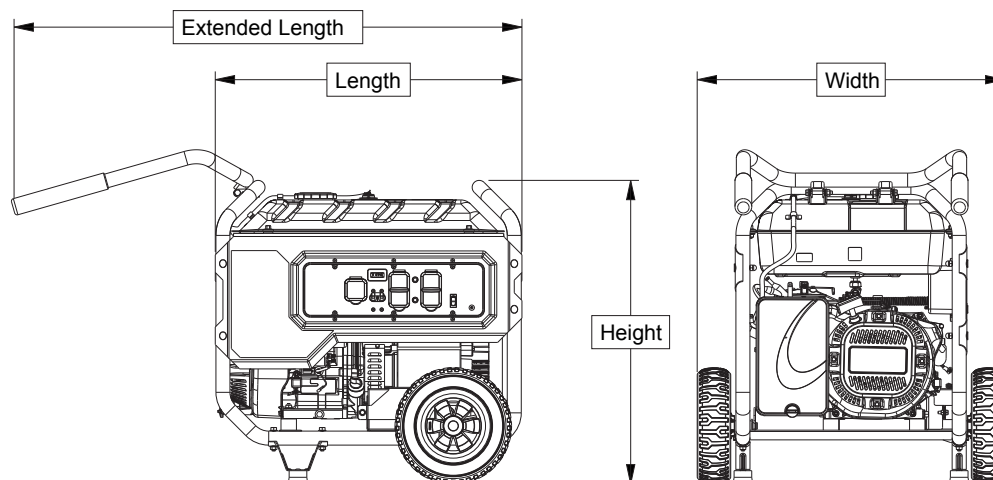
Specifications

Product Series	6500E
Model	6865-0
AC Rated Output Running Watts:	6500
AC Maximum Output Motor Starting Watts:	8125
AC Voltage	120/240 VAC
AC Frequency	60 Hz
Rated VAC Amperage	54.2 / 27.1
Total Harmonic Distortion	<5%
Engine Displacement	389cc
Engine Type	OHV
Engine RPM	3600
Recommended Oil	10W-30 / SAE30
Lubrication Method	Splash
Automatic Voltage Regulation (AVR)	Yes
Choke Location	On Engine
Fuel Shut Off	Under Fuel Tank
Starting Method	Electric with Recoil Back-up
Low Oil Shutdown Method	Low Level
Battery Type	12 VDC, 9AH
Battery Charger Input Jack	Included
Neutral Bonded to Ground	Yes
Start Switch Type	Start/Run/Off Switch
Switch Location	On Control Panel

Fuel Gauge	Built-In Tank
Fuel Tank Capacity Ltr (Gal)	28.4 (7.5)
Run Time at 50% (Hours)	12
Handle Style	Single Folding / Locking
Wheel Type	10" (254mm) Never flat
Maintenance Kit	Sold Separately
Warranty - Portable Generator Residential Application	2 Year Ltd
Warranty - Portable Generator Commercial Application	1 Year Ltd
Warranty - Upgradeable Transfer Switch	5 Year
HomeLink™ 6500 Portable Generator Contents	<ul style="list-style-type: none"> • HomeLink™ Upgradeable Manual Transfer Switch • 10 ft. 10/4 Cord with L14-30 ends • 30 Amp Resin Power Inlet Box (must be hard-wired) • Wiring Harness • Conduit and fittings • Generator Handle • Generator Wheel Kit • Engine Oil • Funnel • Instruction Manual

Dimensions and Weights

Length mm (in)	695 (27.37)
Width mm (in)	700 (27.6)
Height mm (in)	702.5 (27.7)
Extended Length mm (in)	1151 (45.3)
Carton Length mm (in)	974 (38.35)
Carton Width mm (in)	542 (21.35)
Carton Height mm (in)	714 (28.1)
Unit Weight kg (lbs)	90.7 (200)
Shipping Weight kg (lbs)	113.4 (250)



GENERAC®

Generac Power Systems, Inc. • P.O. Box 8, Waukesha, WI 53187 • generac.com

©2015 Generac Power Systems, Inc. All rights reserved. All specifications are subject to change without notice. Bulletin 0L2667-A / Printed in U.S.A. 03/17/15