



CX5500



CX5500

CX POWER SERIES Portable Generators

1 of 2

Features

- **Digital multi meter** tracks engine runtime for maintenance intervals.
- **Powermate OHV engine** provides consistent power for multiple applications.
- **Low-oil level shutdown** prevents engine damage.
- **Fuel gauge** allows user to keep track of gasoline levels.
- **Never flat wheels** for easy transportation.
- **Covered outlets** provide protection and keep out debris.
- **Dual fold-down, locking handles** for easy mobility.
- **Ergonomic frame** for easy portability.

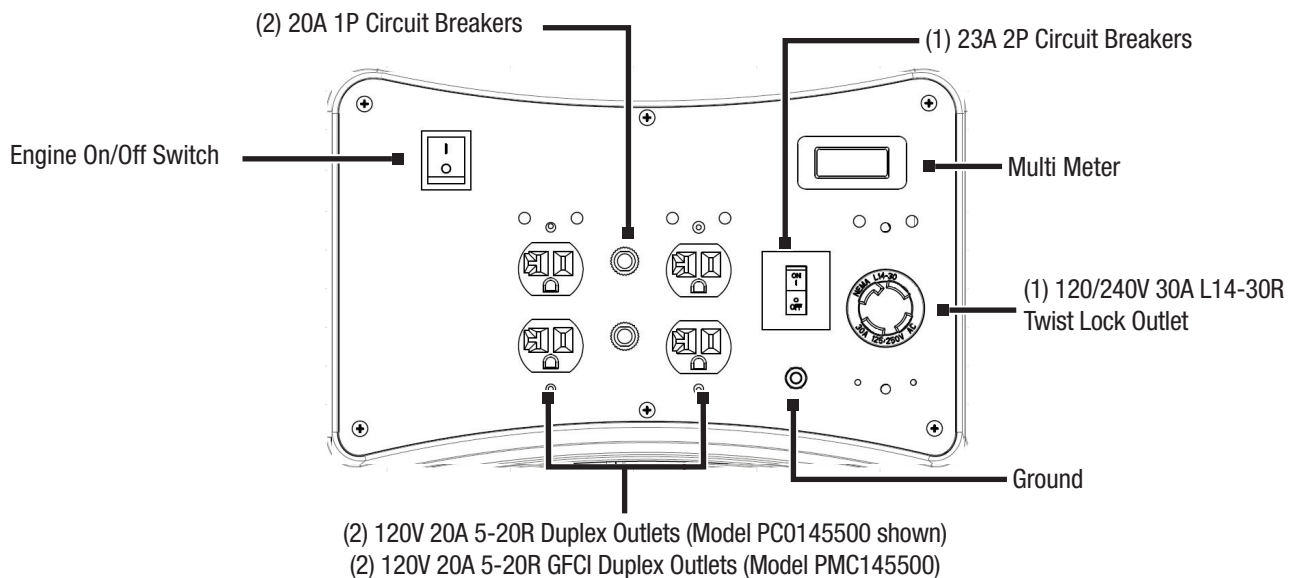
Model **PC0145500** UPC: 696471620801 (CSA)

Model **PMC145500** UPC: 696471620818 (49 ST/CARB)



AC Rated Output Running Watts 5500
AC Maximum Output Starting Watts 6875

49-State/CARB & CSA Control Panel



CX5500

Specifications

Product Series	CX5500
Model (Configuration)	PC0145500 (CSA) PMC145500 (49 ST/CARB)
AC Rated Output Running Watts:	5500
AC Maximum Output Motor Starting Watts:	6875
AC Voltage	120/240 VAC
AC Frequency	60 Hz
Rated VAC Amperage	45.8/22.9
Engine Displacement	420cc
Engine Type	OHV
Engine RPM	3600
Recommended Oil	SAE 10W-30
Lubrication Method	Splash
Automatic Voltage Regulation (AVR)	Yes
Choke Location	On Engine
Fuel Shut Off	On Fuel Tank
Starting Method	Recoil Pull Start
Low Oil Shutdown Method	Low Level
Neutral Bonded to Ground	Yes

Start Switch Type	Engine On/Off Switch
Start Switch Location	On Control Panel
Fuel Gauge	Built-In Tank
Fuel Tank Capacity Gal (Ltr)	7.0 (26.5)
Run Time at 50% (Hours)	12.5
Handle Style	Dual Folding / Locking
Wheel Type	12" Solid Wheels
Warranty - Residential	2 Year Ltd
Warranty - Commercial	1 Year Ltd

Dimensions and Weights

	Model PC0145500 / PMC145500
Length in (mm)	31.5 (800)
Width in (mm)	27.6 (700)
Height in (mm)	24.5 (622)
Carton Length in (mm)	31.9 (810)
Carton Width in (mm)	23 (585)
Carton Height in (mm)	23.9 (607)
Unit Weight lbs (kg)	173 (78.5)
Shipping Weight lbs (kg)	192 (87)

