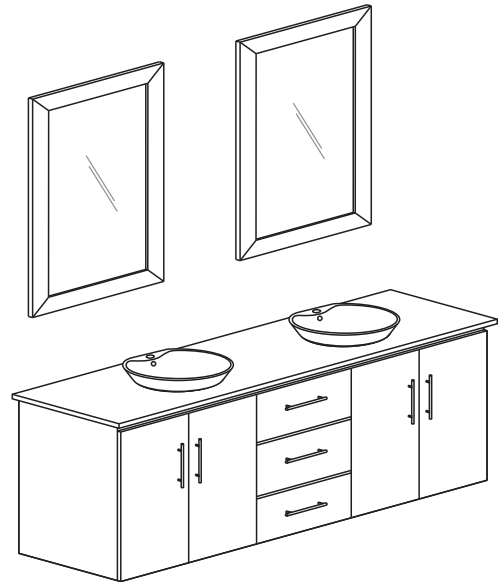


WC-B400-55"

Installation Instructions

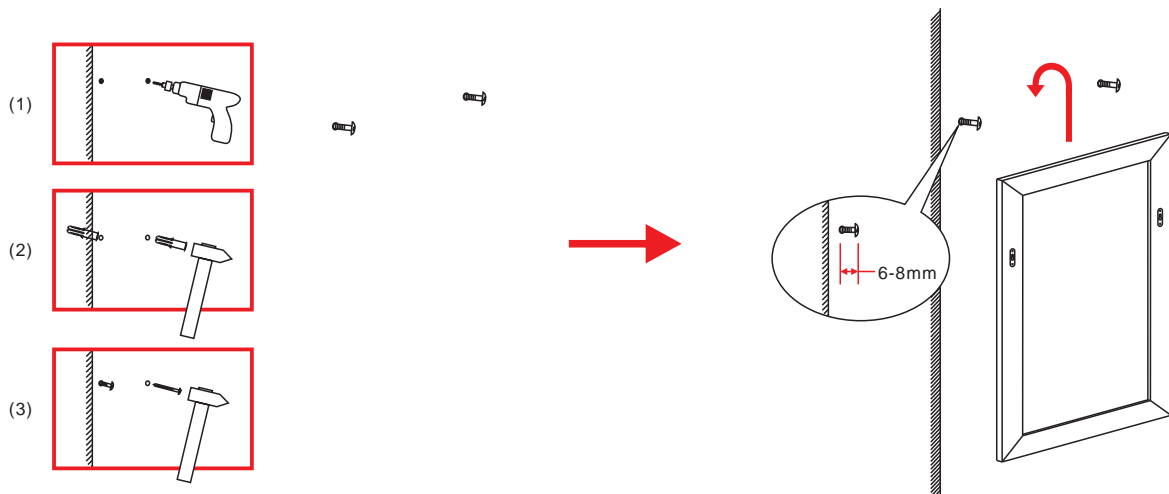


Mirror Assembly

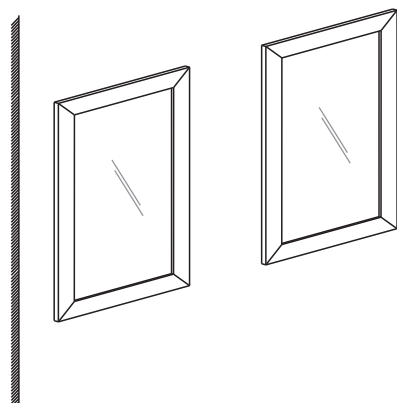
1) Measure the distance between the hangers and mark drill positions on the wall for each mirror. Drill into the wall. Install wall anchors and screw in hanging screws.

2) Hang the mirrors.

1



2



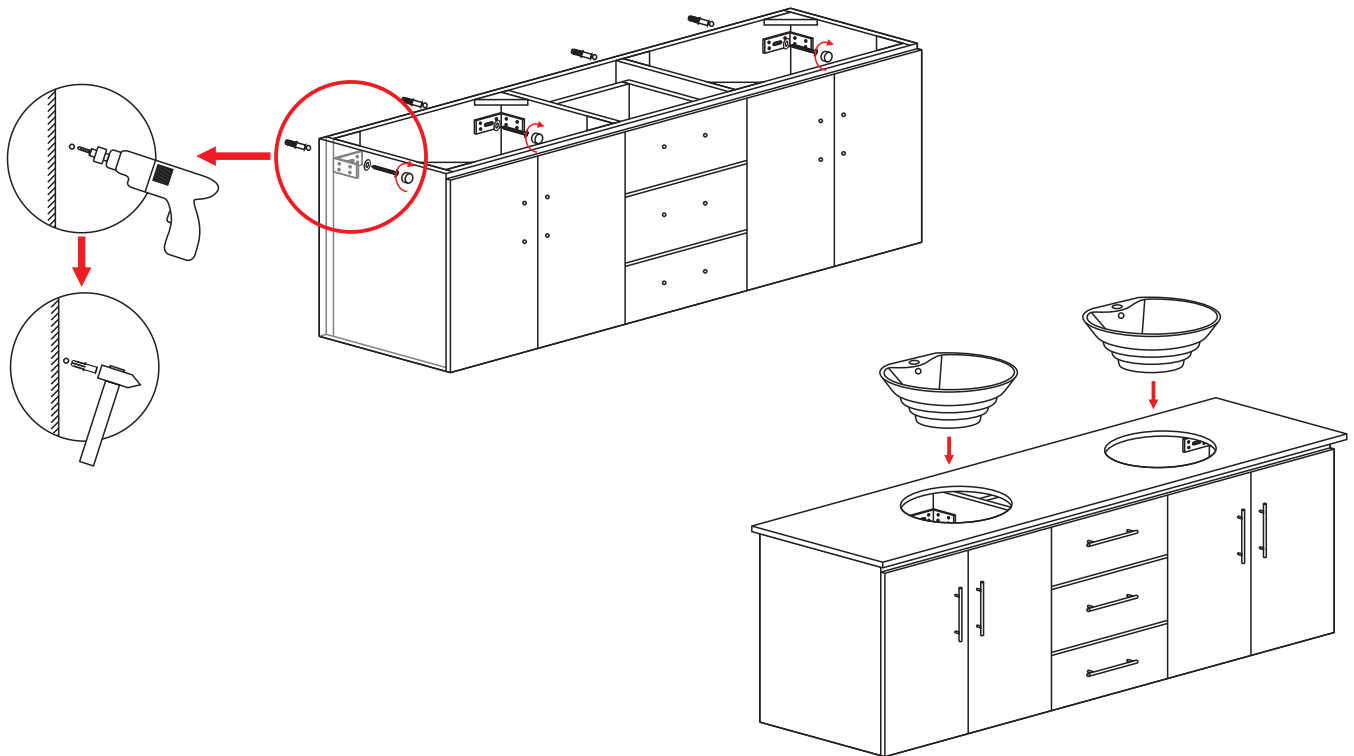
Cabinet Assembly

Before installing please put soft material like a blanket on the ground to avoid scratching the cabinets or floor. During the installation please be careful with tools to avoid scratching the product.

Mark the screw hole positions on the wall with pencil, refer to the drawing below. Drill the holes. Using stud bolts, drill through the cabinets into studs. Stud bolts are not included.

Carefully place the counter on the cabinet and then install sinks.

Unscrew the handles and reattached with handles outside.



Drain Assembly:

◆ Connect trap to drain assembly as shown. Hand tighten and check for alignment. It may be necessary to cut off part of the vertical or the horizontal pipe in order to align properly with existing plumbing.

◆ Install P-trap ensuring all the gaskets are in place and tighten carefully.

- 1 Basin
- 2 Pop-up
- 3 Top gasket
- 4 Bottom lip gasket
- 5 Gasket
- 6 Washer
- 7 Bottom gasket
- 8 Drain nut
- 9 Rubber pipe
- 10 Tail piece
- 11 Drain lid

